

# 133 Series Self-Operated Regulators

## Features

- **Wide Pressure Range Capability with Single Regulator**—Type 133H may also use Type 133L springs, allowing pressure settings to be varied between 2-inches w.c. and 10 psig (5 mbar and 0,69 bar) by changing springs.
- **Types 133L, 133H and 133HP Suitable for Monitoring Applications**—O-ring stem seal on Types 133L, 133H and 133HP isolates body pressure from controlled pressure.
- **Excellent Shock Characteristics and Fast Speed of Response**—Due to two-way stabilizer vent valve, which vents the spring case more rapidly than conventional vents, lag in diaphragm and valve disk movement is minimized.
- **Bubble-Tight Shutoff**—Single-port construction, large diaphragm area, and light-rate springs along with disk material and seat design provide low lock-up pressures.
- **Spring and Diaphragm Effects Minimized**—boosting system provides excellent performance over a wide range of flow conditions.
- **No Seat-to-Seat Adjustment Required**—Balanced single-port design eliminates necessity for seat-to-seat adjustments to achieve bubble tight shutoff.
- **Easy Access to Trim Parts**—Valve seat, disk, and cage easily removed with body remaining in line and without disassembly of actuator portion; orifice is not threaded in.
- **Reusable Pressure Seals**—O-rings used for pressure seals, unlike gaskets, are not ordinarily damaged by disassembling the regulator.
- **Resistance to Piping Stresses**—Steel constructions are available to help resist pipe stresses.



W1327/IL

TYPES 133H, 133L AND 133Z REGULATORS



W6803/IL

TYPE 133HP REGULATOR

Figure 1. 133 Series Self-Operated Regulators

## Specifications

### Available Configurations

**Type 133H:** Self-operated regulator for inlet pressures to 60 psig (4,14 bar) and outlet pressures from 1.5 to 10 psig (0,10 to 0,69 bar), three ranges

**Type 133HP:** Self-operated regulator for inlet pressures to 150 psig (10,3 bar) and outlet pressures from 2 to 60 psig (0,14 to 4,14 bar), seven ranges

**Type 133L:** Self-operated regulator for inlet pressures to 60 psig (4,14 bar) and outlet pressures from 2-inches w.c. to 2 psig (5 mbar to 0,14 bar), six ranges

**Type 133Z Zero Governor:** Self-operated regulator for inlet pressures to 20 psig (1,38 bar) and outlet pressures from -1 to 4-inches w.c. (-2,5 to 10 mbar), two ranges

### End Connections

2-inch (DN 50) Cast iron NPT female, cast iron ANSI Class 125 flat-face flanged, steel NPT female or steel ANSI Class 150 raised-face flanged

### Maximum Inlet Pressures<sup>(1)</sup>

See Table 2

### Outlet Pressure Ranges<sup>(1)</sup>

See Table 1

### Maximum Outlet Pressures<sup>(1)</sup>

See Table 2

### Pressure Registration

External; downstream control line is required

### Control Line Connection

**Types 133H, 133L and 133Z:** 3/4-inch NPT female; connection will be positioned directly over body outlet (standard position) or 90° right or left of standard position if specified

**Type 133HP:** 1/4-inch NPT female connection positioned directly over body outlet

### Vent Connection

**Types 133H, 133L and 133Z:** 1-inch NPT female with screen; standard position is in line with control line connection directly over body outlet. Vent will always be positioned over the control line connection.

**Type 133HP:** 1/2-inch NPT female connection positioned directly over body inlet with a Fisher Type Y602-7

### Temperature Capabilities<sup>(1)</sup>

-20° to 150°F (-29° to 66°C)

### Flow Capacities

See Tables 3 through 10

### Wide-Open Flow Coefficients

CAPACITY	WIDE-OPEN C <sub>g</sub> FOR RELIEF VALVE SIZING	REPRESENTATIVE C <sub>1</sub>
25% <sup>(2)</sup>	490	28.2
40% <sup>(2)</sup>	760	29.1
60% <sup>(2)</sup>	1150	31.8
100%	1800	35.0

### Construction Materials

**Body:** Cast iron or Steel

**Orifice and Cage:** Aluminum

**Valve Disk:** Aluminum/neoprene

**O-Rings:** Nitrile

**Diaphragms:** Nitrile/nylon (neoprene in actuator)

**Guide Bushing:** Nylon

**Stem and Stem Sleeve:** Stainless steel

**Diaphragm Plate:** Steel

**Balancing Diaphragm Plate:** Plated steel

**Spring Case**

*Type 133HP:* Cast Iron

*Types 133H, 133L and 133Z:* Aluminum

**Lower Casing:** Aluminum

**Closing Cap:** Cast iron

**Adjusting Screw:** Steel

**Optional Restriction Collar:** Aluminum

### Approximate Shipping Weight

**Types 133H, 133L and 133Z NPT**

**End Connections:** 35 pounds (15,88 kg)

**Types 133H, 133L and 133Z Flanged**

**End Connections:** 40 pounds (18,14 kg)

**Type 133HP NPT End Connections:**

56.5 pounds (25,63 kg)

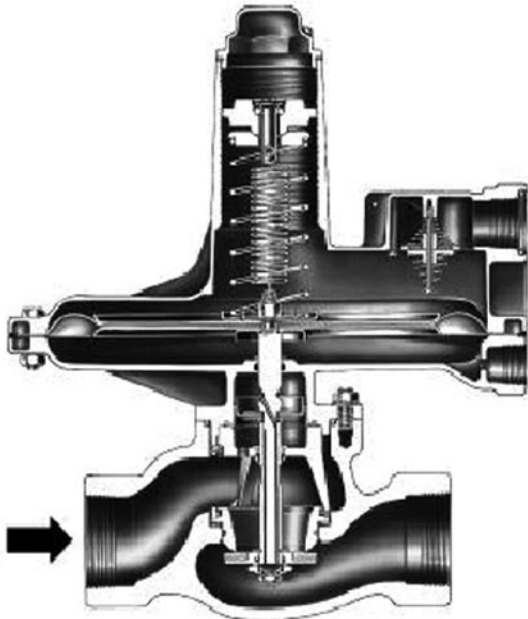
**Type 133HP Flanged End Connections:**

62.5 pounds (28,35 kg)

### Option

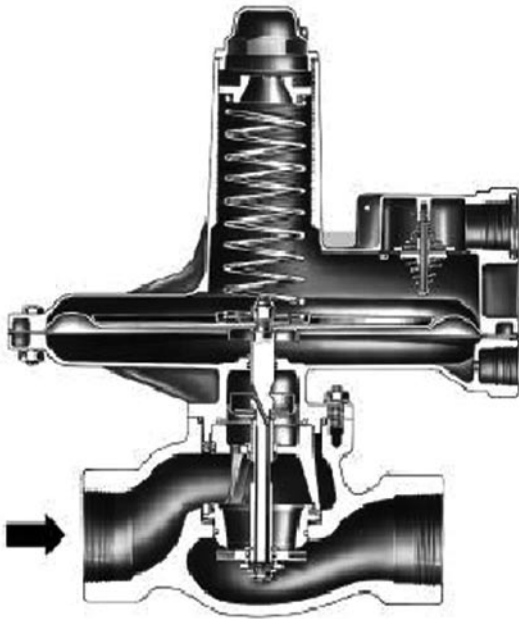
Restriction collar to reduce wide-open capacity to approximately 25%, 40%, or 60% of standard wide-open capacity

1. None of the pressure/temperature limits in this bulletin, nor any applicable standard limitation, should be exceeded.  
2. Using optional restriction collar.



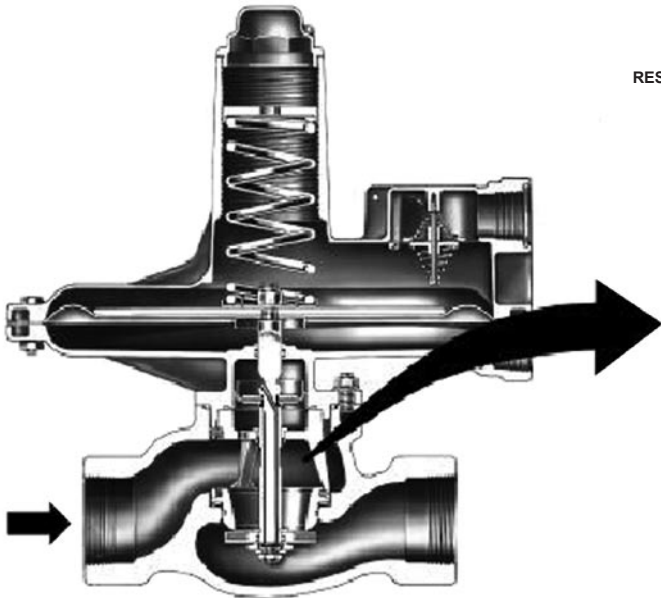
W1213-1/IL

TYPE 133Z ZERO GOVERNOR



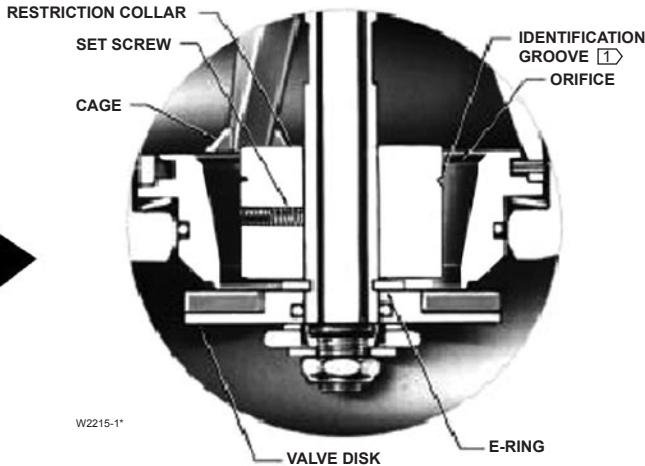
W1212-1/IL

TYPE 133L LOW-PRESSURE REGULATOR



W1211-1

TYPE 133H WITHOUT RESTRICTION COLLAR



W2215-1'

TRIM PARTS WITH RESTRICTION COLLAR (40% CAPACITY COLLAR IS SHOWN)

- 1 IDENTIFICATION GROOVES:
- 25% CAPACITY COLLAR—NO GROOVES
- 40% CAPACITY COLLAR—ONE GROOVE
- 60% CAPACITY COLLAR—TWO GROOVES

Figure 2. Types 133Z, 133L and 133H Regulators

## Introduction

### Description

The 133 Series self-operated gas regulators, shown on the cover are primarily designed for industrial and commercial applications supplying gas to furnaces, burners and other appliances. The 133 Series balancing system enables the regulator to provide accurate control of gas pressure for maximum combustion efficiency despite varying inlet pressure conditions. The single port construction provides bubble tight shutoff. An external downstream control line is required for the operation of the regulator. Refer to Table 1 for outlet pressure ranges of each type. 133 Series regulators are available in a 2-inch (DN 50) body size with either threaded NPT or flanged end connections.

An optional restriction collar (Figure 2) can be installed if wide-open capacity is too high for applications using a relief valve as overpressure protection. The collar reduces wide-open capacity to 25, 40, or 60% of standard wide-open capacity.

**Type 133H**—High pressure construction for outlet pressure range of 1.5 to 10 psig (0,10 to 0,69 bar). The Type 133H can also use the 2-inches w.c. to 2 psig (5 mbar to 0,14 bar) springs of the Type 133L. The maximum operating inlet pressure is 60 psig (4,14 bar) with a maximum emergency inlet pressure of 125 psig (8,62 bar).

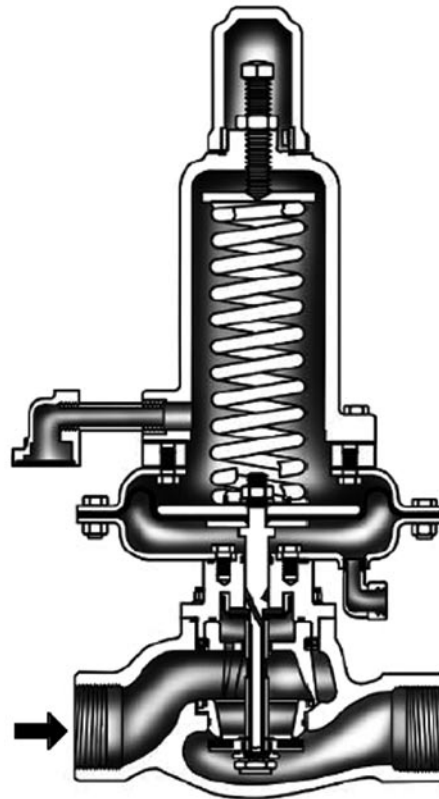
**Type 133HP**—Extra high pressure construction for outlet pressure range of 2 to 60 psig (0,14 to 4,14 bar). The maximum inlet pressure rating is 150 psig (10,3 bar).

**Type 133L**—Low pressure construction for outlet pressure range of 2-inches w.c. to 2 psig (5 mbar to 0,14 bar). The maximum operating inlet pressure is 60 psig (4,14 bar) with a maximum emergency inlet pressure of 125 psig (8,62 bar).

**Type 133Z**—Zero governor construction for outlet pressure range of -1 to 4-inches w.c. (-2,5 to 10 mbar). The maximum operating inlet pressure is 20 psig (1,38 bar) with a maximum emergency inlet pressure of 125 psig (8,62 bar).

### Principle of Operation

Refer to the operational schematics in Figure 4. In the 133 Series, downstream pressure is registered under the diaphragm via the external control line and is used as the operating medium. Increased demand lowers the downstream pressure and allows the spring to move the diaphragm and stem assembly down, opening the valve disk and supplying more gas to the



W6883/IL

**Figure 3.** Type 133HP Regulator

downstream system. Decreased demand increases the downstream pressure and moves the diaphragm and stem assembly up, closing the valve disk and decreasing the gas supply to the downstream system.

### Boosting System

The 133 Series incorporates a balancing diaphragm and a boosting system. When the regulator is locked up, inlet pressure is registered on the top of the valve disk and on the bottom of the balancing diaphragm through registration holes in the top of the cage. Also, downstream pressure is registered on the bottom of the valve disk and on the top of the balancing diaphragm through a passage formed by grooves in the registration disk and an annular space between the stem and stem sleeve.

When the valve disk is open, gas flows from the inlet over the edge of the valve disk to the outlet. Under the valve disk near the registration disk, there is little gas flow. The gas pressure near the registration disk is higher than it is in the flow path where gas velocity tends to lower the pressure. The higher pressure near the disk is registered on the top of the balancing diaphragm through the registration disk and the annular space between the stem and stem sleeve.



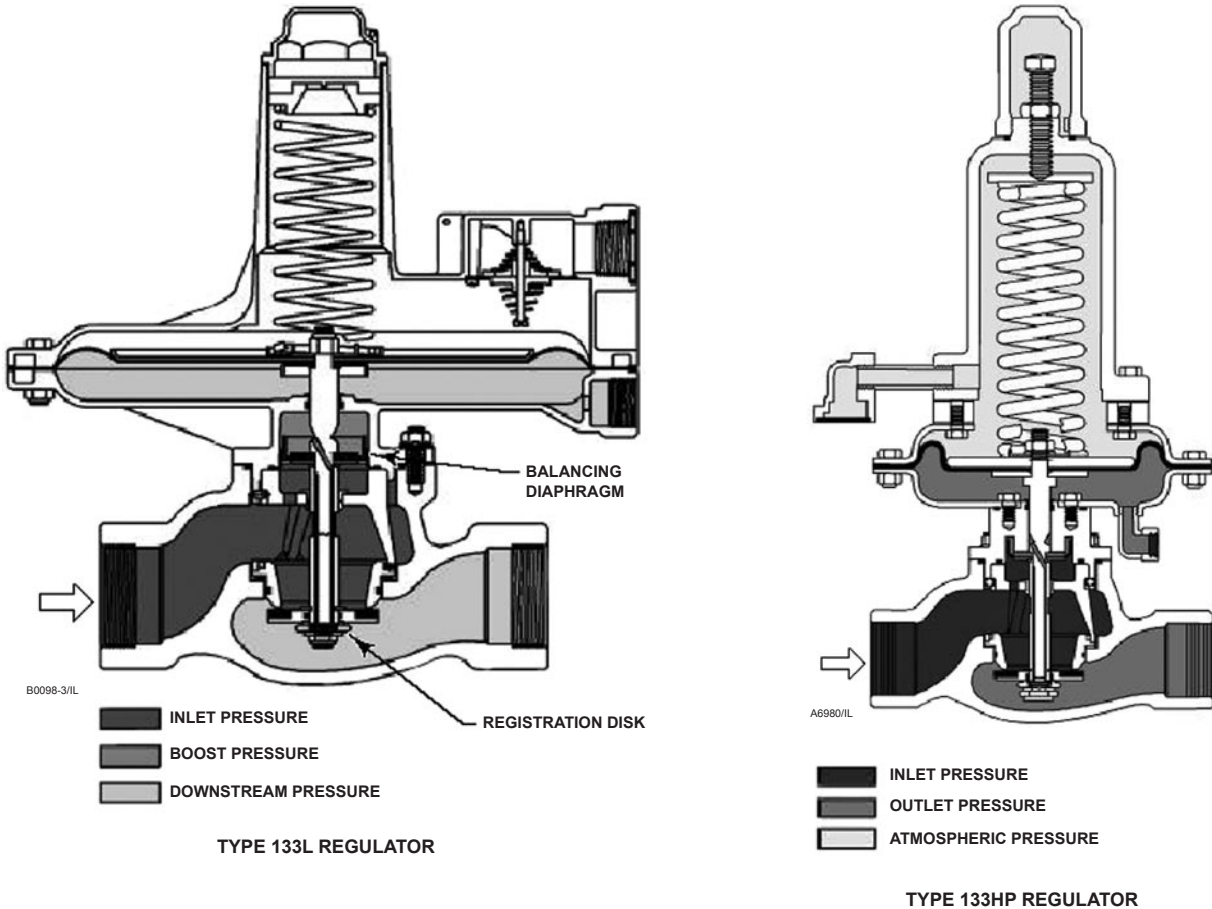


Figure 4. Operational Schematics

This pressure registered on the top of the balancing diaphragm aids downward disk travel and compensates for spring and diaphragm effect. This improves regulator rangeability and performance.

### Two-Way Stabilizer Vent Valve on Types 133H, 133L and 133Z

When the regulator responds to an increase in downstream pressure, the diaphragm moves upward. As the diaphragm rises, movement of air forces the lower vent flapper upward, carrying the upper flapper with it (see Figure 5). This allows the air above the diaphragm to vent to atmosphere rapidly enough to minimize lag in diaphragm movement.

As the diaphragm falls, air rushes in the vent to fill the partial vacuum created, forcing the upper vent flapper against the orifice plate. Air flowing through the webs of the upper flapper opens the lower flapper (see Figure 5). With the regulator at steady-state conditions, both flappers are closed and only a small hole is open to help stabilize normal operation.

### Overpressure Protection

As is the case with most regulators, the 133 Series regulators have outlet pressure ratings that are lower than the inlet pressure ratings. Some type of Overpressure Protection is needed if the actual inlet pressure ever exceeds the outlet pressure rating.

Maximum inlet and outlet pressures for the 133 Series are given in Table 2. All models must be protected against inlet pressure above the maximum emergency inlet pressure (refer to Table 2).

Outlet pressure more than 3 psig (0,21 bar) or 40 psig (2,76 bar) for Type 133HP over the outlet pressure setting of the regulator may damage internal parts such as the diaphragm plate and valve disk.

Regulator operation below these emergency pressure limitations does not preclude the possibility of damage from external sources or from debris in the gas line. The regulator should be inspected for damage after any overpressure condition. Complete instructions for installation, operation, and maintenance are provided with each regulator.

# Bulletin 71.1:133

**Table 1. 133 Series Outlet Pressure Ranges, Control Springs**

TYPE	OUTLET PRESSURE RANGE		CONTROL SPRINGS			
	Inches w.c./Psig	bar/mbar	Part Number	Color Code Stripe	Free Length, Inch (mm)	Wire Diameter, Inch (mm)
133H <sup>(1)</sup>	1.5 to 3 psig	0,10 to 0,21 bar	1H975927032	Orange	7.37 (187)	0.250 (6,35)
	2 to 5 psig	0,14 to 0,34 bar	10A9440X012	Yellow	6.47 (164)	0.283 (7,19)
	5 to 10 psig	0,34 to 0,69 bar	1J146927142	Blue	6.19 (157)	0.375 (9,52)
133HP <sup>(1)</sup>	2 to 5 psig	0,14 to 0,34 bar	17B8632X012	Yellow	8.5 (216)	0.281 (7,14)
	4.5 to 10 psig	0,31 to 0,69 bar	17B8633X012	Orange	8.5 (216)	0.343 (8,71)
	6 to 20 psig	0,41 to 1,38 bar	10C1238X012	Silver	8.25 (209)	0.406 (10,3)
	16 to 30 psig	1,10 to 2,07 bar	10C1240X012	Red	8.25 (209)	0.500 (12,7)
	26 to 40 psig	1,79 to 2,76 bar	10C1241X012	Blue	8.25 (209)	0.500 (12,7)
	36 to 50 psig	2,48 to 3,45 bar	10C1242X012	Green	8.25 (209)	0.531 (13,5)
	45 to 60 psig	3,10 to 4,14 bar	10C1243X012	White	8.25 (209)	0.225 (5,72)
133L <sup>(1)</sup> and 133H <sup>(2)</sup>	2 to 4-inches w.c.	5 to 10 mbar	1D892527022	Brown	6.12 (156)	0.109 (2,77)
	3.5 to 6-inches w.c.	9 to 15 mbar	1D892627022	Red	7.5 (190)	0.120 (3,05)
	5 to 9-inches w.c.	12 to 22 mbar	1D892727012	Black	7.87 (200)	0.130 (3,30)
	8.5 to 18-inches w.c.	21 to 45 mbar	1D893227032	White	7.5 (190)	0.156 (3,96)
	14 to 28-inches w.c.	35 to 70 mbar	1D893327032	Green	7.25 (184)	0.182 (4,62)
	0.75 to 2 psig	0,05 to 0,14 bar	1H975827032	Blue	7.37 (187)	0.225 (5,72)
133Z <sup>(1)</sup>	-1 to 1-inch w.c.	-2,5 to 2,5 mbar	1K633427012 (Extension Spring)	Black	2 (50,8)	0.075 (1,90)
	0 to 4-inches w.c.	0 to 10 mbar	1K633427012 (Extension Spring)	Black	2 (50,8)	0.075 (1,90)
			and 1D892527022 (Compression Spring)	Brown	6.12 (156)	0.109 (2,77)

1. Pressure ranges shown are correct if the regulator is installed with the actuator portion above the body portion. If the regulator is installed with the actuator portion below the body, the pressure ranges will be lowered by approximately 2-inches w.c. (5 mbar) for the Type 133L and by approximately 3-inches w.c. (7 mbar) for the Types 133H and 133Z.  
2. If the 2-inches w.c. (5 mbar) to 2 psig (0,14 bar) springs (all 6 ranges) are used in the Type 133H, the pressure ranges will increase by approximately 1-inch w.c. (2 mbar) due to the weight of the Type 133H parts (assuming that the actuator is installed above the body).

**Table 2. Maximum Inlet and Outlet Pressures**

PRESSURES	TYPE NUMBER			
	133H Psig (bar)	133HP Psig (bar)	133L Psig (bar)	133Z Psig (bar)
Maximum Operating Inlet Pressure	60 (4,14)	150 (10,3)	60 (4,14)	20 (1,38)
Maximum Emergency Inlet Pressure	125 (8,62)	150 (10,3)	125 (8,62)	125 (8,62)
Maximum Operating Outlet Pressure <sup>(1)</sup>	10 (0,69)	Setpoint Plus 40 psi (2,76 bar)	2 (0,14)	4-inches w.c. (10 mbar)
Maximum Outlet Pressure Over Outlet Pressure Setting	3 (0,21)	----	3 (0,21)	3 (0,21)
Maximum Emergency Outlet (Casing) Pressure	15 (1,03)	150 (10,3)	15 (1,03)	15 (1,03)

1. With highest spring range available only.

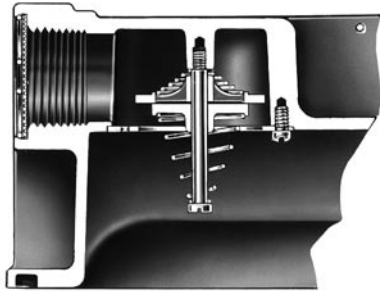
## Capacity Data

Flow capacities for various inlet pressures and outlet pressure settings are shown in Tables 3 to 10. Capacities for Tables 3 to 10 are in thousands of cubic feet per hour of 0.6 specific gravity gas at 60°F and 14.7 psia. To convert to equivalent capacities of other gases, multiply the values shown by the appropriate factor: air–0.775; propane–0.628, butane–0.548; nitrogen–0.789.

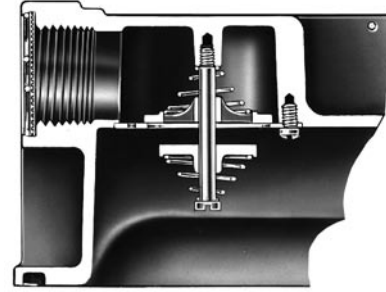
### Note

**For optimum performance, select the lowest spring range that includes the desired outlet pressure setting.**

For restricted-capacity constructions, determine flow capacities for outlet pressure settings of 2 psig (0,14 bar) or less by multiplying the values from Tables 3 to 10 by 25, 40, or 60% (depending upon which restriction collar is selected). For pressure settings over 2 psig (0,14 bar), capacities are given in Table 6. If flow capacities for inlet pressures lower than those shown are required, contact the Sales Representative. The representative regulating  $C_g$  of 1650 may be used for regulator sizing of full-capacity constructions only if capacity table data is not available. The representative regulating  $C_g$  is an approximation only for pressure drops greater than 5 psi (0,34 bar), because, at a given offset in controlled pressure, the regulating  $C_g$  varies with the spring being used with the pressure drop across the valve.



**TWO-WAY STABILIZER VENT VALVE IN "UP" POSITION  
AS DIAPHRAGM RISES**



**VENT VALVE IN "DOWN" POSITION  
AS DIAPHRAGM LOWERS**

**Figure 5. Types 133H, 133L and 133Z Stabilizer Vent**

To determine capacity using the flow coefficient  $C_g$ , use the appropriate procedure below.

1. If flow is critical (absolute outlet pressure is equal to or less than one-half the absolute inlet pressure), use the equation:

**Capacity = (Absolute Inlet Pressure) ( $C_g$ ) (1.29)**

The capacity determined will be in standard cubic feet per hour of 0.6 specific gravity gas.

2. If flow is less than critical (absolute outlet pressure is greater than one-half the absolute inlet pressure), use the Fisher sizing slide rule or the sizing nomographs in Fisher Catalog 10 to determine capacity.

**Table 3. Full-Capacity Type 133Z Regulated Flow in Thousands of SCFH of (0.6 Specific Gravity Gas at 14.7 Psia and 60°F)**

INLET PRESSURE	1-INCH W.C. (2,5 mbar) OUTLET PRESSURE SETTING <sup>(1)</sup> (EITHER SPRING RANGE)	
	0.5-inch w.c. (1 mbar) Droop SCFH (Nm <sup>3</sup> /h)	1-inch w.c. (2,5 mbar) Droop SCFH (Nm <sup>3</sup> /h)
8-inches w.c. (20 mbar)	2.4 (0,06)	5.1 (0,14)
14-inches w.c. (35 mbar)	4.1 (0,11)	7.4 (0,20)
1 psig (0,07 bar)	6.5 (0,17)	12 (0,32)
2 psig (0,14 bar)	11.5 (0,31)	18 (0,48)
5 psig (0,34 bar)	22 (0,59)	32 (0,86)
10 psig (0,69 bar)	44 (1,18)	50 (1,34)
20 psig (1,38 bar)	76 (2,04)	78 (2,09)

1. Outlet pressure setting was made at approximately 10% of the maximum capacity for the listed conditions.

## Installation

The regulator may be installed in any position but is normally installed with the actuator portion vertical above the body portion. Flow through the body must be in the direction indicated by the flow direction arrow cast on the body portion. A downstream control line is required for operation of the regulator.

A remote vent line may be required for some installations. Vent openings must be protected against the entrance of rain, snow, insects, or any other foreign material that may plug the vent.

External dimensions are shown in Figure 9.

## Ordering Information

When ordering, specify:

## Application

1. Type of gas being controlled (natural gas, air, etc.): list any factors such as impurities in the gas that may affect compatibility of the gas with the regulator trim parts.
2. Specific gravity of the gas
3. Temperature of the gas
4. Range of flowing inlet pressures to regulator
5. Outlet pressure
6. Flow rates
  - a) Minimum controlled flow
  - b) Normal flow
  - c) Maximum flow
7. Line size and end connection size of adjacent piping

## Regulator

Refer to the Specifications section on page 2. Carefully review the description to the right of each specification and in the referenced tables. Specify the desired selection wherever there is a choice to be made. Always specify the regulator type number.

# Bulletin 71.1:133

**Table 4. Full-Capacity Type 133L Regulated Flow in Thousands of SCFH of 0.6 Specific Gravity Gas at 14.7 Psia and 60°F**

INLET PRESSURE, PSIG (bar)	OUTLET PRESSURE SETTING <sup>(1)</sup> , SPRING PART NUMBER, AND OUTLET PRESSURE RANGE											
	4-inches w.c. (10 mbar) 1D892527022 2 to 4 inches w.c. (5 to 10 mbar)	6-inches w.c. (15 mbar) 1D892627022 3.5 to 6 inches w.c. (8,7 to 15 mbar)	7-inches w.c. (17 mbar) 1D892727012 5 to 9 inches w.c. (12 to 22 mbar)	14-inches w.c. (35 mbar) 1D893227032 8.5 to 18-inches w.c. (21,2 to 44,8 mbar)		14-inches w.c. (35 mbar) 1D893227032 14 to 28-inches w.c. (35 to 70 mbar)		1 Psig (0,07 bar) 1D893327032 14 to 28-inches w.c. (35 to 70 mbar)		2 Psig (0,14 bar) 1H975827032 0.75 to 2 psig (0,05 to 0,14 bar)		
	1-inch w.c. (2,5 mbar) Droop SCFH (Nm <sup>3</sup> /h)	1-inch w.c. (2,5 mbar) Droop SCFH (Nm <sup>3</sup> /h)	1-inch w.c. (2,5 mbar) Droop SCFH (Nm <sup>3</sup> /h)	1-inch w.c. (2,5 mbar) Droop SCFH (Nm <sup>3</sup> /h)	2-inch w.c. (5 mbar) Droop SCFH (Nm <sup>3</sup> /h)	1-inch w.c. (2,5 mbar) Droop SCFH (Nm <sup>3</sup> /h)	2-inch w.c. (5 mbar) Droop SCFH (Nm <sup>3</sup> /h)	10% Droop SCFH (Nm <sup>3</sup> /h)	20% Droop SCFH (Nm <sup>3</sup> /h)	10% Droop SCFH (Nm <sup>3</sup> /h)	20% Droop SCFH (Nm <sup>3</sup> /h)	
1 (0,07)	14 (0,38)	13 (0,35)	12 (0,32)	5 (0,13)	8.4 (0,22)	----	----	----	----	----	----	
2 (0,14)	20.8 (0,56)	20 (0,54)	17 (0,46)	8.2 (0,22)	15.2 (0,41)	----	----	11.5 (0,31)	16 (0,43)	----	----	
3 (0,21)	26 (0,70)	24.5 (0,66)	21 (0,56)	12 (0,32)	19.5 (0,52)	----	----	15.5 (0,42)	21.5 (0,58)	12.5 (0,34)	18.5 (0,50)	
5 (0,34)	35 (0,94)	33 (0,88)	32 (0,86)	16 (0,43)	28 (0,75)	14 (0,38)	23 (0,62)	24 (0,64)	31.5 (0,84)	20.5 (0,55)	28 (0,75)	
10 (0,69)	52 (1,39)	52 (1,39)	48 (1,29)	34 (0,91)	45 (1,21)	26 (0,70)	38 (1,02)	37.5 (1,00)	44 (1,18)	38 (1,02)	46 (1,23)	
20 (1,38)	78 (2,09)	77 (2,06)	79 (2,12)	69 (1,85)	76 (2,04)	60 (1,61)	69 (1,85)	70 (1,88)	77 (2,06)	62 (1,66)	76 (2,04)	
30 (2,07)	101 (2,71)	100 (2,68)	100 (2,68)	91 (2,44)	97 (2,60)	87 (2,33)	93 (2,49)	90 (2,41)	101 (2,71)	87 (2,33)	101 (2,71)	
40 (2,76)	124 (3,32)	122 (3,27)	124 (3,32)	109 (2,92)	116 (3,11)	107 (2,87)	115 (3,08)	110 (2,95)	122 (3,27)	105 (2,81)	121 (3,24)	
50 (3,45)	146 (3,91)	144 (3,86)	145 (3,89)	130 (3,48)	136 (3,64)	132 (3,54)	137 (3,67)	127 (3,40)	145 (3,89)	124 (3,32)	145 (3,89)	
60 (4,14)	170 (4,56)	168 (4,50)	166 (4,45)	155 (4,15)	161 (4,32)	152 (4,07)	158 (4,23)	149 (3,99)	167 (4,48)	145 (3,89)	170 (4,56)	

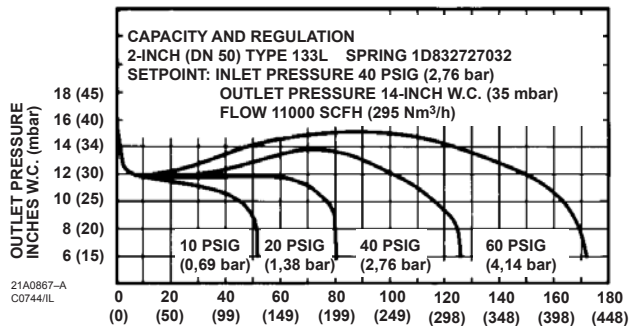
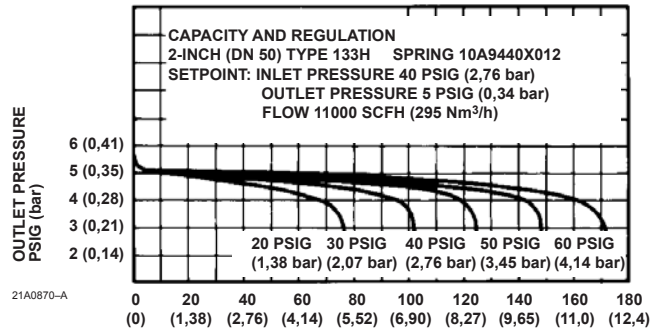
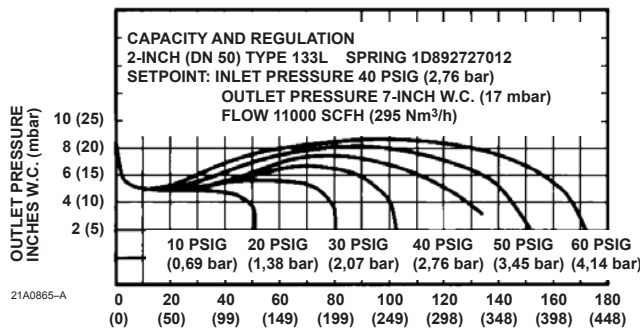
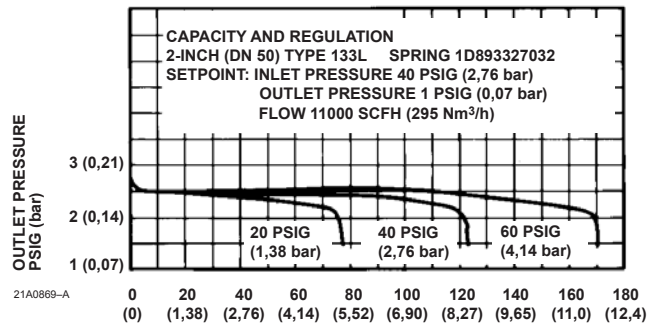
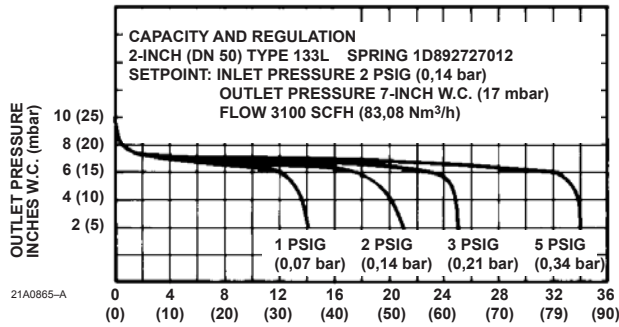
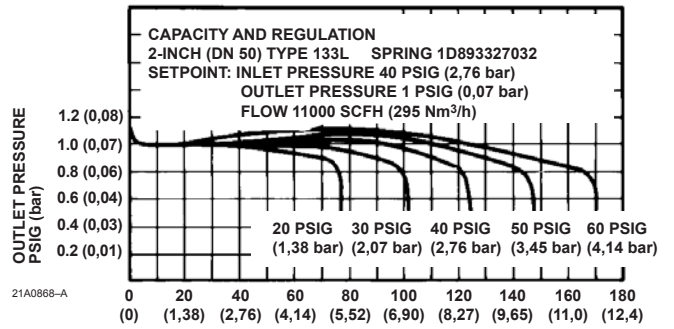
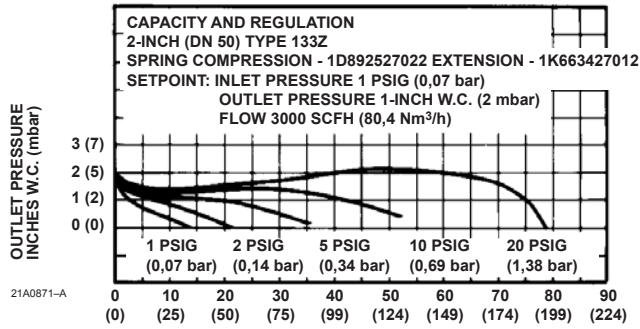
1. Outlet pressure setting was made at approximately 10% of the maximum capacity for the listed conditions.

**Table 5. Full-Capacity Type 133H Regulated Flow in Thousands of SCFH of 0.6 Specific Gravity Gas at 14.7 Psia and 60°F**

INLET PRESSURE, PSIG (bar)	OUTLET PRESSURE SETTING <sup>(1)</sup> , SPRING PART NUMBER, AND OUTLET PRESSURE RANGE									
	3 Psig (0,21 bar) 1H975927032 1.5 to 3 Psig (0,10 to 0,21 bar)		2 Psig (0,14 bar) 10A9440X012 2 to 5 Psig (0,14 to 0,34 bar)		5 Psig (0,34 bar) 10A9440X012 2 to 5 Psig (0,14 to 0,34 bar)		5 Psig (0,34 bar) 1J146927142 5 to 10 Psig (0,34 to 0,69 bar)		10 Psig (0,69 bar) 1J146927142 5 to 10 Psig (0,34 to 0,69 bar)	
	10% Droop SCFH (Nm <sup>3</sup> /h)	20% Droop SCFH (Nm <sup>3</sup> /h)	10% Droop SCFH (Nm <sup>3</sup> /h)	20% Droop SCFH (Nm <sup>3</sup> /h)	10% Droop SCFH (Nm <sup>3</sup> /h)	20% Droop SCFH (Nm <sup>3</sup> /h)	10% Droop SCFH (Nm <sup>3</sup> /h)	20% Droop SCFH (Nm <sup>3</sup> /h)	10% Droop SCFH (Nm <sup>3</sup> /h)	20% Droop SCFH (Nm <sup>3</sup> /h)
3 (0,21)	----	----	6.5 (0,17)	11.5 (0,31)	----	----	----	----	----	----
5 (0,34)	14 (0,38)	22 (0,59)	11 (0,30)	18 (0,48)	----	----	----	----	----	----
7 (0,48)	21.5 (0,58)	31 (0,83)	13 (0,35)	22 (0,59)	15.5 (0,42)	24 (0,64)	9 (0,24)	15 (0,40)	----	----
10 (0,69)	28 (0,75)	42 (1,13)	15 (0,40)	27 (0,72)	24 (0,64)	35 (0,94)	14 (0,38)	22 (0,59)	----	----
15 (1,03)	40 (1,07)	57 (1,53)	25.5 (0,68)	39 (1,04)	35 (0,94)	51 (1,37)	19 (0,51)	31.5 (0,84)	21 (0,56)	35 (0,94)
20 (1,38)	52 (1,39)	72 (1,93)	35 (0,94)	52 (1,39)	46 (1,23)	67 (1,80)	24 (0,64)	41 (1,10)	31 (0,83)	51 (1,37)
30 (2,07)	76 (2,04)	96 (2,57)	49 (1,31)	73 (1,96)	68 (1,82)	95 (2,55)	35 (0,94)	58 (1,55)	44 (1,18)	74 (1,98)
40 (2,76)	98 (2,63)	119 (3,19)	66 (1,77)	97 (2,60)	88 (2,36)	117 (3,14)	44 (1,18)	73 (1,96)	56 (1,50)	97 (2,60)
50 (3,44)	118 (3,16)	141 (3,78)	84 (2,25)	112 (3,00)	103 (2,76)	138 (3,70)	57 (1,53)	89 (2,38)	74 (1,98)	117 (3,14)
60 (4,14)	136 (3,64)	165 (4,42)	104 (2,79)	132 (3,54)	122 (3,27)	156 (4,18)	65 (1,74)	106 (2,84)	91 (2,44)	136 (3,64)

1. Outlet pressure setting was made at approximately 10% of the maximum capacity for the listed conditions.





NOTE: FLOW RATE - 1000 SCFH (26,8 Nm<sup>3</sup>/h)  
 0.6 SPECIFIC GRAVITY GAS AT 14.7 PSIA AND 60°F

Figure 6. Capacity Curves — Full-Capacity Constructions

# Bulletin 71.1:133

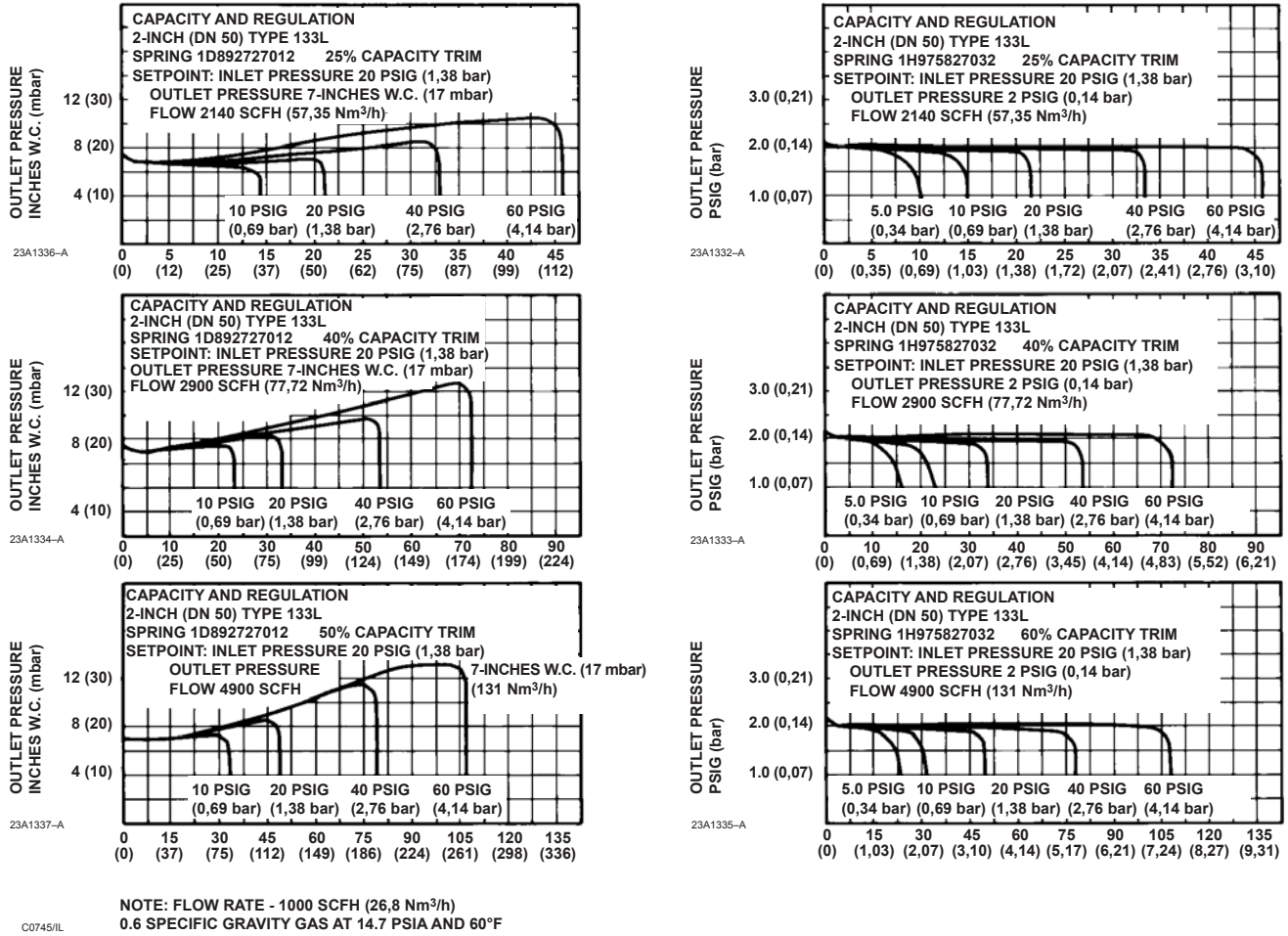


Figure 7. Capacity Curves — Restricted Capacity Constructions

Table 6. Restricted-Capacity Type 133H Regulated Flow in Thousands of SCFH of (0.6 Specific Gravity Gas at 14.7 Psia and 60°F)

INLET PRESSURE, PSIG (bar)	OUTLET PRESSURE SETTING <sup>(1)</sup> , SPRING PART NUMBER, AND OUTLET PRESSURE RANGE											
	25% Capacity				40% Capacity				60% Capacity			
	5 Psig (0,34 bar) 10A9440X012		10 Psig (0,69 bar) 1J146927142		5 Psig (0,34 bar) 10A9440X012		10 Psig (0,69 bar) 1J146927142		5 Psig (0,34 bar) 10A9440X012		10 Psig (0,69 bar) 1J146927142	
	2 to 5 Psig (0,14 to 0,34 bar)		5 to 10 Psig (0,34 to 0,69 bar)		2 to 5 Psig (0,14 to 0,34 bar)		5 to 10 Psig (0,34 to 0,69 bar)		2 to 5 Psig (0,14 to 0,34 bar)		5 to 10 Psig (0,34 to 0,69 bar)	
	10% Droop SCFH (Nm³/h)	20% Droop SCFH (Nm³/h)	10% Droop SCFH (Nm³/h)	20% Droop SCFH (Nm³/h)	10% Droop SCFH (Nm³/h)	20% Droop SCFH (Nm³/h)	10% Droop SCFH (Nm³/h)	20% Droop SCFH (Nm³/h)	10% Droop SCFH (Nm³/h)	20% Droop SCFH (Nm³/h)	10% Droop SCFH (Nm³/h)	20% Droop SCFH (Nm³/h)
7 (0,48)	8.0 (0,21)	9.0 (0,24)	----	----	11.0 (0,30)	15.0 (0,40)	----	----	13.0 (0,35)	17.0 (0,46)	----	----
10 (0,69)	12.3 (0,33)	13.0 (0,35)	----	----	16.5 (0,44)	20.0 (0,54)	----	----	20.0 (0,54)	25.0 (0,67)	----	----
15 (1,03)	----	----	13.0 (0,35)	15.5 (0,42)	----	----	16.5 (0,44)	23.5 (0,63)	----	----	20.0 (0,54)	29.5 (0,79)
20 (1,38)	20.8 (0,56)	21.2 (0,57)	17.5 (0,47)	20.0 (0,54)	31.5 (0,84)	33.5 (0,90)	23.5 (0,63)	30.5 (0,82)	36.0 (0,96)	46.5 (1,25)	29.0 (0,78)	39.5 (1,06)
40 (2,76)	33.5 (0,90)	33.5 (0,90)	33.0 (0,88)	33.5 (0,90)	52.0 (1,39)	53.2 (1,43)	46.0 (1,23)	53.2 (1,43)	70.0 (1,88)	77.5 (2,08)	57.0 (1,53)	74.5 (2,00)
60 (4,14)	45.5 (1,22)	45.5 (1,22)	45.5 (1,22)	45.5 (1,22)	72.7 (1,95)	72.7 (1,95)	67.0 (1,80)	72.7 (1,95)	105.0 (2,81)	107.0 (2,87)	87.0 (2,33)	107.0 (2,87)

1. Outlet pressure setting was made at approximately 10% of the maximum capacity for the listed conditions.

**Table 7. Type 133HP Regulator 100% Capacities in Thousands of SCFH of (0.6 Specific Gravity Gas at 14.7 Psia and 60°F)**

OUTLET PRESSURE RANGE, CONTROL SPRING NUMBER AND COLOR	OUTLET PRESSURE SETTING <sup>(1)</sup>		INLET PRESSURE		2-INCH (DN 50) BODY SIZE 1.91-INCHES (48,5 mm) ORIFICE SIZE		
	Psig	bar	Psig	bar	Droop from Setpoint		
					10% SCFH (Nm <sup>3</sup> /h)	20% SCFH (Nm <sup>3</sup> /h)	30% SCFH (Nm <sup>3</sup> /h)
2 to 5 psig (0,14 to 0,34 bar)  17B8632X012  Yellow Stripe	2	0,14	10	0,69	10.4 (0,28)	18.9 (0,51)	27.5 (0,74)
			20	1,38	16.4 (0,44)	29.8 (0,80)	43.3 (1,16)
			40	2,76	27.0 (0,72)	49.1 (1,32)	71.2 (1,91)
			60	4,14	37.1 (0,99)	67.5 (1,81)	97.9 (2,62)
			80	5,52	47.2 (1,26)	85.7 (2,30)	124.3 (3,33)
			100	6,90	57.1 (1,53)	103.9 (2,78)	150.6 (4,04)
			125	8,62	69.5 (1,86)	126.5 (3,39)	183.4 (4,92)
	150	10,3	82.0 (2,20)	149.1 (4,00)	216.3 (5,80)		
	5	0,34	10	0,69	20.2 (0,54)	41.5 (1,11)	42.8 (1,15)
			20	1,38	35.1 (0,94)	71.7 (1,92)	72.3 (1,94)
			40	2,76	59.6 (1,60)	121.3 (3,25)	121.5 (3,26)
			60	4,14	82.4 (2,21)	167.9 (4,50)	168.0 (4,50)
			80	5,52	104.9 (2,81)	213.6 (5,72)	213.6 (5,72)
			100	6,90	127.2 (3,41)	258.9 (6,94)	258.9 (6,94)
125			8,62	155.0 (4,15)	315.4 (8,45)	315.4 (8,45)	
150	10,3	182.7 (4,90)	371.8 (9,96)	371.8 (9,96)			
4.5 to 10 psig (0,31 to 0,69 bar)  17B8633X012  Orange Stripe	5	0,34	10	0,69	11.4 (0,31)	21.4 (0,57)	32.0 (0,86)
			20	1,38	19.6 (0,52)	36.4 (0,98)	53.4 (1,43)
			40	2,76	33.0 (0,88)	61.3 (1,64)	89.6 (2,40)
			60	4,14	45.7 (1,22)	84.7 (2,27)	123.7 (3,32)
			80	5,52	58.1 (1,56)	107.7 (2,89)	157.3 (4,22)
			100	6,90	70.5 (1,89)	130.6 (3,50)	190.7 (5,11)
			125	8,62	85.8 (2,30)	159.0 (4,26)	232.2 (6,22)
	150	10,3	101.2 (2,71)	187.5 (5,02)	273.8 (7,34)		
	10	0,69	25	1,72	40.3 (1,08)	80.5 (2,16)	81.7 (2,19)
			30	2,07	47.1 (1,26)	93.9 (2,52)	94.8 (2,54)
			40	2,76	59.9 (1,60)	119.1 (3,19)	119.7 (3,21)
			60	4,14	84.0 (2,25)	166.8 (4,47)	167.1 (4,48)
			80	5,52	107.4 (2,88)	213.0 (5,71)	213.2 (5,71)
			100	6,90	130.4 (3,50)	258.7 (6,93)	258.8 (6,94)
125			8,62	159.0 (4,26)	315.4 (8,45)	315.4 (8,45)	
150	10,3	187.5 (5,02)	371.8 (9,96)	371.8 (9,96)			
6 to 20 psig (0,41 to 1,38 bar)  10C1238X012  Silver Stripe	10	0,69	15	1,03	16.4 (0,44)	32.0 (0,86)	51.9 (1,39)
			20	1,38	22.1 (0,59)	42.2 (1,13)	67.7 (1,81)
			40	2,76	39.9 (1,07)	75.4 (2,02)	111.0 (2,98)
			60	4,14	55.9 (1,50)	105.0 (2,81)	155.0 (4,15)
			80	5,52	71.4 (1,91)	134.0 (3,59)	198.0 (5,31)
			100	6,90	86.8 (2,33)	163.0 (4,37)	240.0 (6,43)
			125	8,62	106.0 (2,84)	199.0 (5,33)	292.0 (7,83)
	150	10,3	125.0 (3,35)	235.0 (6,30)	344.0 (9,22)		
	20	1,38	25	1,72	38.8 (1,04)	65.0 (1,74)	70.0 (1,88)
			30	2,07	50.3 (1,35)	82.3 (2,21)	86.0 (2,30)
			40	2,76	69.4 (1,86)	112.0 (3,00)	114.0 (3,06)
			60	4,14	102.0 (2,73)	163.0 (4,37)	164.0 (4,40)
			80	5,52	133.0 (3,56)	211.0 (5,66)	211.0 (5,66)
			100	6,90	162.0 (4,34)	257.0 (6,89)	258.0 (6,91)
125			8,62	198.0 (5,31)	315.0 (8,44)	315.0 (8,44)	
150	10,3	234.0 (6,27)	372.0 (9,97)	372.0 (9,97)			

1. Outlet pressure setting was made at approximately 10% of the maximum capacity for the listed conditions.  
2. Shaded area is equal to maximum flow capacity.

- continued -

# Bulletin 71.1:133

**Table 7. Type 133HP Regulator 100% Capacities in Thousands of SCFH of (0.6 Specific Gravity Gas at 14.7 Psia and 60°F) (continued)**

OUTLET PRESSURE RANGE, CONTROL SPRING NUMBER AND COLOR	OUTLET PRESSURE SETTING <sup>(1)</sup>		INLET PRESSURE		2-INCH (DN 50) BODY SIZE 1.91-INCHES (48,5 mm) ORIFICE SIZE		
					Droop from Setpoint		
	Psig	bar	Psig	bar	10% SCFH (Nm <sup>3</sup> /h)	20% SCFH (Nm <sup>3</sup> /h)	30% SCFH (Nm <sup>3</sup> /h)
16 to 30 psig (1,10 to 2,07 bar) 10C1240X012 Red Stripe	20	1,38	25	1,72	24.8 (0,66)	50.4 (1,35)	70.0 (1,88)
			30	2,07	31.8 (0,85)	62.6 (1,68)	86.0 (2,30)
			40	2,76	43.5 (1,17)	84.0 (2,25)	114.0 (3,06)
			60	4,14	63.8 (1,71)	122.0 (3,27)	164.0 (4,40)
			80	5,52	83.0 (2,22)	158.0 (4,23)	211.0 (5,66)
			100	6,90	101.0 (2,71)	192.0 (5,15)	258.0 (6,91)
			125	8,62	124.0 (3,23)	235.0 (6,30)	315.0 (8,44)
	150	10,3	146.0 (3,91)	277.0 (7,42)	372.0 (9,97)		
	30	2,07	35	2,41	43.0 (1,15)	80.6 (2,16)	88.2 (2,36)
			40	2,76	53.8 (1,44)	98.4 (2,64)	104.0 (2,79)
			60	4,14	88.0 (2,36)	156.0 (4,18)	159.0 (4,26)
			80	5,52	117.0 (3,14)	207.0 (5,55)	208.0 (5,57)
			100	6,90	145.0 (3,89)	255.0 (6,83)	256.0 (6,86)
			125	8,62	178.0 (4,77)	313.0 (8,39)	314.0 (8,42)
150			10,3	211.0 (5,66)	371.0 (9,94)	371.0 (9,94)	
26 to 40 psig (1,79 to 2,76 bar) 10C1241X012 Blue Stripe	30	2,07	35	2,41	28.9 (0,78)	59.6 (1,60)	88.2 (2,36)
			40	2,76	35.7 (0,96)	71.0 (1,90)	104.0 (2,79)
			60	4,14	57.5 (1,54)	110.0 (2,95)	159.0 (4,26)
			80	5,52	76.4 (2,05)	146.0 (3,91)	208.0 (5,57)
			100	6,90	94.3 (2,53)	179.0 (4,80)	256.0 (6,86)
			125	8,62	116.0 (3,11)	220.0 (5,90)	314.0 (8,42)
			150	10,3	137.0 (3,67)	260.0 (6,97)	371.0 (9,94)
	40	2,76	45	3,10	43.5 (1,17)	96.2 (2,58)	106.0 (2,84)
			50	3,45	52.6 (1,41)	114.0 (3,06)	122.0 (3,27)
			60	4,14	68.4 (1,83)	146.0 (3,91)	151.0 (4,05)
			80	5,52	95.4 (2,56)	186.0 (4,98)	204.0 (5,47)
			100	6,90	120.0 (3,22)	232.0 (6,22)	253.0 (6,78)
			125	8,62	149.0 (3,99)	287.0 (7,69)	312.0 (8,36)
			150	10,3	177.0 (4,74)	341.0 (9,14)	370.0 (9,92)
36 to 50 psig (2,48 to 3,45 bar) 10C1242X012 Green Stripe	40	2,76	45	3,10	36.2 (0,97)	76.1 (2,04)	106.0 (2,84)
			50	3,45	43.4 (1,16)	88.1 (2,36)	122.0 (3,27)
			60	4,14	56.2 (1,51)	110.0 (2,95)	151.0 (4,05)
			80	5,52	78.1 (2,09)	150.0 (4,02)	204.0 (5,47)
			100	6,90	97.9 (2,62)	187.0 (5,01)	253.0 (6,78)
			125	8,62	122.0 (3,27)	232.0 (6,22)	312.0 (8,36)
			150	10,3	145.0 (3,89)	276.0 (7,40)	370.0 (9,92)
	50	3,45	55	3,79	50.4 (1,35)	112.0 (3,00)	124.0 (3,32)
			60	4,14	59.5 (1,60)	130.0 (3,48)	141.0 (3,78)
			80	5,52	90.2 (2,42)	191.0 (5,12)	197.0 (5,28)
			100	6,90	116.0 (3,11)	227.0 (6,08)	248.0 (6,65)
			125	8,62	147.0 (3,94)	283.0 (7,58)	309.0 (8,28)
			150	10,3	176.0 (4,72)	338.0 (9,06)	368.0 (9,86)
			45 to 60 psig (3,10 to 4,14 bar) 10C1243X012 White Stripe	50	3,45	55	3,79
60	4,14	51.0 (1,37)				105.0 (2,81)	141.0 (3,78)
80	5,52	76.9 (2,06)				151.0 (4,05)	197.0 (5,28)
100	6,90	99.0 (2,65)				191.0 (5,12)	248.0 (6,65)
125	8,62	125.0 (3,35)				239.0 (6,40)	309.0 (8,28)
150	10,3	149.0 (3,99)				285.0 (7,64)	368.0 (9,86)
60	4,14	65				4,48	57.5 (1,54)
		70		4,83	66.5 (1,78)	146.0 (3,91)	159.0 (4,26)
		80		5,52	83.2 (2,23)	179.0 (4,80)	188.0 (5,04)
		100		6,90	112.0 (3,00)	236.0 (6,32)	242.0 (6,49)
		125		8,62	144.0 (3,86)	280.0 (7,50)	305.0 (8,17)
		150		10,3	174.0 (4,66)	336.0 (9,00)	365.0 (9,78)

1. Outlet pressure setting was made at approximately 10% of the maximum capacity for the listed conditions.  
2. Shaded area is equal to maximum flow capacity.

**Table 8. Type 133HP Regulator 25% Capacities in Thousands of SCFH of (0.6 Specific Gravity Gas at 14.7 Psia and 60°F)**

OUTLET PRESSURE RANGE, CONTROL SPRING NUMBER AND COLOR	OUTLET PRESSURE SETTING <sup>(1)</sup>		INLET PRESSURE		2-INCH (DN 50) BODY SIZE 1.91-INCHES (48,5 mm) ORIFICE SIZE		
					Droop from Setpoint		
	Psig	bar	Psig	bar	10% SCFH (Nm <sup>3</sup> /h)	20% SCFH (Nm <sup>3</sup> /h)	30% SCFH (Nm <sup>3</sup> /h)
2 to 5 psig (0,14 to 0,34 bar)  17B8632X012  Yellow Stripe	2	0,14	10	0,69	4.0 (0,11)	7.8 (0,21)	13.4 (0,36)
			20	1,38	6.4 (0,17)	12.5 (0,34)	12.2 (0,33)
			40	2,76	10.5 (0,28)	20.6 (0,55)	34.9 (0,94)
			60	4,14	14.5 (0,39)	28.4 (0,76)	48.1 (1,29)
			80	5,52	18.4 (0,49)	36.0 (0,97)	61.1 (1,64)
			100	6,90	22.3 (0,60)	43.7 (1,17)	74.0 (1,98)
			125	8,62	27.2 (0,73)	53.2 (1,43)	90.1 (2,42)
	150	10,3	32.0 (0,86)	62.7 (1,68)	106.2 (2,85)		
	5	0,34	10	0,69	8.3 (0,22)	11.5 (0,31)	11.9 (0,32)
			20	1,38	14.9 (0,40)	20.3 (0,54)	20.5 (0,55)
			40	2,76	25.4 (0,68)	34.6 (0,93)	34.7 (0,93)
			60	4,14	35.2 (0,94)	47.9 (1,28)	48.0 (1,29)
			80	5,52	44.8 (1,20)	61.0 (1,64)	61.0 (1,64)
			100	6,90	54.3 (1,46)	74.0 (1,98)	74.0 (1,98)
125			8,62	66.2 (1,77)	90.1 (2,42)	90.1 (2,42)	
150	10,3	78.1 (2,09)	106.2 (2,85)	106.2 (2,85)			
4.5 to 10 psig (0,31 to 0,69 bar)  17B8633X012  Orange Stripe	5	0,34	10	0,69	4.4 (0,12)	8.7 (0,23)	11.9 (0,32)
			20	1,38	7.8 (0,21)	15.4 (0,41)	20.5 (0,55)
			40	2,76	13.3 (0,36)	26.1 (0,70)	34.7 (0,93)
			60	4,14	18.4 (0,49)	36.2 (0,97)	48.0 (1,29)
			80	5,52	23.4 (0,63)	46.1 (1,24)	61.0 (1,64)
			100	6,90	28.4 (0,76)	55.9 (1,50)	74.0 (1,98)
			125	8,62	34.6 (0,93)	68.1 (1,83)	90.1 (2,42)
	150	10,3	40.8 (1,09)	80.2 (2,15)	106.2 (2,85)		
	10	0,69	25	1,72	17.0 (0,46)	22.6 (0,61)	23.0 (0,62)
			30	2,07	19.9 (0,53)	26.5 (0,71)	26.8 (0,72)
			40	2,76	25.5 (0,68)	33.8 (0,91)	34.0 (0,91)
			60	4,14	35.9 (0,96)	47.5 (1,27)	47.6 (1,28)
			80	5,52	45.9 (1,23)	60.8 (1,63)	60.9 (1,63)
			100	6,90	55.8 (1,50)	73.9 (1,98)	73.9 (1,98)
125			8,62	68.0 (1,82)	90.1 (2,42)	90.1 (2,42)	
150	10,3	80.2 (2,15)	106.2 (2,85)	106.2 (2,85)			
6 to 20 psig (0,41 to 1,38 bar)  10C1238X012  Silver Stripe	10	0,69	15	1,03	6.3 (0,17)	13.3 (0,36)	14.1 (0,38)
			20	1,38	8.8 (0,24)	18.3 (0,49)	18.9 (0,51)
			40	2,76	16.4 (0,44)	33.8 (0,91)	34.0 (0,91)
			60	4,14	23.1 (0,62)	47.5 (1,27)	47.6 (1,28)
			80	5,52	29.5 (0,79)	60.8 (1,63)	60.9 (1,63)
			100	6,90	35.8 (0,96)	73.9 (1,98)	73.9 (1,98)
			125	8,62	43.7 (1,17)	90.1 (2,42)	90.1 (2,42)
	150	10,3	51.5 (1,38)	106.2 (2,85)	106.2 (2,85)		
	20	1,38	25	1,72	15.7 (0,42)	16.8 (0,45)	18.6 (0,50)
			30	2,07	21.6 (0,58)	22.3 (0,60)	23.5 (0,63)
			40	2,76	30.7 (0,82)	31.1 (0,83)	31.9 (0,86)
			60	4,14	45.9 (1,23)	46.1 (1,24)	46.5 (1,25)
			80	5,52	59.8 (1,60)	60.0 (1,61)	60.2 (1,61)
			100	6,90	73.3 (1,96)	73.4 (1,97)	73.5 (1,97)
125			8,62	89.8 (2,41)	89.8 (2,41)	89.9 (2,41)	
150	10,3	106.1 (2,84)	106.1 (2,84)	106.2 (2,85)			

1. Outlet pressure setting was made at approximately 10% of the maximum capacity for the listed conditions.  
 2. Shaded area is equal to maximum flow capacity.

- continued -



# Bulletin 71.1:133

**Table 8. Type 133HP Regulator 25% Capacities in Thousands of SCFH of (0.6 Specific Gravity Gas at 14.7 Psia and 60°F) (continued)**

OUTLET PRESSURE RANGE, CONTROL SPRING NUMBER AND COLOR	OUTLET PRESSURE SETTING <sup>(1)</sup>		INLET PRESSURE		2-INCH (DN 50) BODY SIZE 1.91-INCHES (48.5 mm) ORIFICE SIZE		
					Droop from Setpoint		
	Psig	bar	Psig	bar	10% SCFH (Nm <sup>3</sup> /h)	20% SCFH (Nm <sup>3</sup> /h)	30% SCFH (Nm <sup>3</sup> /h)
16 to 30 psig (1,10 to 2,07 bar) 10C1240X012 Red Stripe	20	1,38	25	1,72	9.2 (0,25)	16.8 (0,45)	18.6 (0,50)
			30	2,07	12.6 (0,34)	22.3 (0,60)	23.5 (0,63)
			40	2,76	17.8 (0,48)	31.1 (0,83)	31.9 (0,86)
			60	4,14	26.6 (0,71)	46.1 (1,24)	46.5 (1,25)
			80	5,52	34.6 (0,93)	60.0 (1,61)	60.2 (1,61)
			100	6,90	42.3 (1,13)	73.4 (1,97)	73.5 (1,97)
			125	8,62	51.9 (1,39)	89.8 (2,41)	89.9 (2,41)
	150	10,3	61.3 (1,64)	106.1 (2,84)	106.2 (2,85)		
	30	2,07	35	2,41	18.5 (0,50)	20.2 (0,54)	23.0 (0,62)
			40	2,76	21.5 (0,58)	26.1 (0,70)	28.1 (0,75)
			60	4,14	37.1 (0,99)	43.6 (1,17)	44.6 (1,20)
			80	5,52	50.0 (1,34)	58.4 (1,56)	59.0 (1,58)
			100	6,90	62.1 (1,66)	72.3 (1,94)	72.7 (1,95)
			125	8,62	76.6 (2,05)	89.2 (2,39)	89.4 (2,40)
150			10,3	90.9 (2,44)	105.7 (2,83)	105.9 (2,84)	
26 to 40 psig (1,79 to 2,76 bar) 10C1241X012 Blue Stripe	30	2,07	35	2,41	10.3 (0,28)	20.2 (0,54)	23.0 (0,62)
			40	2,76	13.6 (0,36)	26.1 (0,70)	28.1 (0,75)
			60	4,14	23.4 (0,63)	43.6 (1,17)	44.6 (1,20)
			80	5,52	31.6 (0,85)	58.4 (1,56)	59.0 (1,58)
			100	6,90	39.1 (1,05)	72.3 (1,94)	72.7 (1,95)
			125	8,62	48.3 (1,29)	89.2 (2,39)	89.4 (2,40)
			150	10,3	57.3 (1,54)	105.7 (2,83)	105.9 (2,84)
	40	2,76	45	3,10	15.5 (0,42)	23.7 (0,64)	27.5 (0,74)
			50	3,45	20.3 (0,54)	29.7 (0,80)	32.7 (0,88)
			60	4,14	27.8 (0,74)	39.6 (1,06)	41.6 (1,12)
			80	5,52	39.9 (1,07)	56.0 (1,50)	57.2 (1,53)
			100	6,90	50.6 (1,36)	70.7 (1,90)	71.5 (1,92)
			125	8,62	63.2 (1,69)	88.1 (2,36)	88.6 (2,37)
			150	10,3	75.4 (2,02)	105.0 (2,81)	105.4 (2,82)
36 to 50 psig (2,48 to 3,45 bar) 10C1242X012 Green Stripe	40	2,76	45	3,10	12.5 (0,34)	23.7 (0,64)	27.5 (0,74)
			50	3,45	16.4 (0,44)	29.7 (0,80)	32.7 (0,88)
			60	4,14	22.4 (0,60)	39.6 (1,06)	41.6 (1,12)
			80	5,52	32.1 (0,86)	56.0 (1,50)	57.2 (1,53)
			100	6,90	40.7 (1,09)	70.7 (1,90)	71.5 (1,92)
			125	8,62	50.8 (1,36)	88.1 (2,36)	88.6 (2,37)
			150	10,3	60.6 (1,62)	105.0 (2,81)	105.4 (2,82)
	50	3,45	55	3,79	17.5 (0,47)	27.0 (0,72)	31.9 (0,86)
			60	4,14	22.5 (0,60)	33.3 (0,89)	37.2 (1,00)
			80	5,52	37.1 (0,99)	52.5 (1,41)	54.6 (1,46)
			100	6,90	48.7 (1,30)	68.4 (1,83)	69.8 (1,87)
			125	8,62	61.9 (1,66)	86.6 (2,32)	87.5 (2,34)
			150	10,3	74.5 (2,00)	103.9 (2,78)	104.5 (2,80)
			45 to 60 psig (3,10 to 4,14 bar) 10C1243X012 White Stripe	50	3,45	55	3,79
60	4,14	18.9 (0,51)				33.3 (0,89)	37.2 (1,00)
80	5,52	31.1 (0,83)				52.5 (1,41)	54.6 (1,46)
100	6,90	40.9 (1,10)				68.4 (1,83)	69.8 (1,87)
125	8,62	52.0 (1,39)				86.6 (2,32)	87.5 (2,34)
150	10,3	62.5 (1,68)				103.9 (2,78)	104.5 (2,80)
60	4,14	65				4,48	19.5 (0,52)
		70		4,76	24.7 (0,66)	36.9 (0,99)	41.7 (1,12)
		80		5,52	33.1 (0,83)	47.6 (1,28)	51.1 (1,37)
		100		6,90	46.3 (1,24)	65.2 (1,75)	67.4 (1,81)
		125		8,62	60.4 (1,62)	84.5 (2,26)	85.9 (2,30)
		150		10,3	73.5 (1,97)	102.4 (2,74)	103.4 (2,77)

1. Outlet pressure setting was made at approximately 10% of the maximum capacity for the listed conditions.  
2. Shaded area is equal to maximum flow capacity.

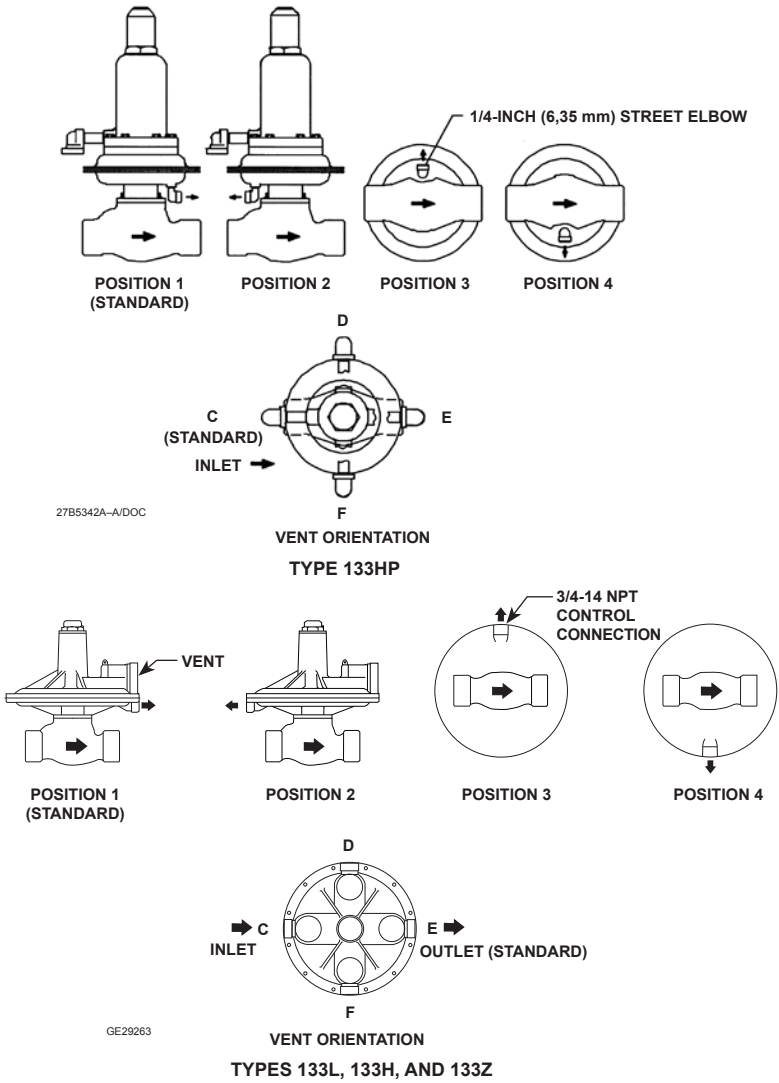


Figure 8. 133 Series Assembly Positions for Body/Spring Case Orientation

Table 9. Type 133HP Regulator 40% Capacities in Thousands of SCFH of (0.6 Specific Gravity Gas at 14.7 Psia and 60°F)

OUTLET PRESSURE RANGE, CONTROL SPRING NUMBER AND COLOR	OUTLET PRESSURE SETTING <sup>(1)</sup>		INLET PRESSURE		2-INCH (DN 50) BODY SIZE 1.91-INCHES (48,5 mm) ORIFICE SIZE		
	Psig	bar	Psig	bar	Droop from Setpoint		
					10% SCFH (Nm <sup>3</sup> /h)	20% SCFH (Nm <sup>3</sup> /h)	30% SCFH (Nm <sup>3</sup> /h)
2 to 5 psig (0,14 to 0,34 bar) 17B8632X012 Yellow Stripe	2	0,14	10	0,69	6.9 (0,18)	13.2 (0,35)	19.7 (0,53)
			20	1,38	10.5 (0,28)	20.1 (0,54)	29.7 (0,80)
			40	2,76	16.6 (0,44)	31.9 (0,86)	47.2 (1,26)
			60	4,14	22.7 (0,61)	43.6 (1,17)	64.4 (1,73)
			80	5,52	28.8 (0,77)	55.2 (1,48)	81.7 (2,19)
			100	6,90	34.8 (0,93)	66.9 (1,79)	99.0 (2,65)
			125	8,62	42.4 (1,14)	81.5 (2,18)	120.5 (3,23)
			150	10,3	50.0 (1,34)	96.0 (2,57)	142.1 (3,81)
	5	0,34	10	0,69	14.5 (0,39)	19.8 (0,53)	20.4 (0,55)
			20	1,38	24.4 (0,65)	32.8 (0,88)	32.9 (0,88)
			40	2,76	39.5 (1,06)	52.9 (1,42)	52.9 (1,42)
			60	4,14	54.0 (1,45)	72.3 (1,94)	72.3 (1,94)
			80	5,52	68.5 (1,84)	91.6 (2,46)	91.6 (2,46)
			100	6,90	82.9 (2,22)	111.0 (2,98)	111.0 (2,98)
		125	8,62	101.0 (2,71)	135.2 (3,62)	135.2 (3,62)	
		150	10,3	119.1 (3,19)	159.3 (4,27)	159.3 (4,27)	

1. Outlet pressure setting was made at approximately 10% of the maximum capacity for the listed conditions.  
2. Shaded area is equal to maximum flow capacity.

- continued -

# Bulletin 71.1:133

**Table 9. Type 133HP Regulator 40% Capacities in Thousands of SCFH of (0.6 Specific Gravity Gas at 14.7 Psia and 60°F) (continued)**

OUTLET PRESSURE RANGE, CONTROL SPRING NUMBER AND COLOR	OUTLET PRESSURE SETTING <sup>(1)</sup>		INLET PRESSURE		2-INCH (DN 50) BODY SIZE 1.91-INCHES (48,5 mm) ORIFICE SIZE		
					Droop from Setpoint		
	Psig	bar	Psig	bar	10% SCFH (Nm <sup>3</sup> /h)	20% SCFH (Nm <sup>3</sup> /h)	30% SCFH (Nm <sup>3</sup> /h)
4.5 to 10 psig (0,31 to 0,69 bar)  17B8633X012  Orange Stripe	5	0,34	10	0,69	3.8 (0,10)	7.1 (0,19)	10.4 (0,28)
			20	1,38	5.8 (0,16)	10.7 (0,29)	15.7 (0,42)
			40	2,76	9.2 (0,25)	17.0 (0,46)	24.9 (0,67)
			60	4,14	12.5 (0,34)	23.3 (0,62)	34.0 (0,91)
			80	5,52	15.9 (0,43)	29.5 (0,79)	43.1 (1,16)
			100	6,90	19.3 (0,52)	35.7 (0,96)	52.2 (1,40)
			125	8,62	23.5 (0,63)	43.5 (1,17)	63.6 (1,70)
	150	10,3	27.7 (0,74)	51.3 (1,38)	75.0 (2,01)		
	10	0,69	25	1,72	28.2 (0,76)	37.0 (0,99)	37.4 (1,00)
			30	2,07	32.5 (0,87)	42.6 (1,14)	42.8 (1,15)
			40	2,76	40.5 (1,08)	52.9 (1,42)	52.9 (1,42)
			60	4,14	55.5 (1,49)	72.3 (1,94)	72.3 (1,94)
			80	5,52	70.4 (1,89)	91.6 (2,46)	91.6 (2,46)
			100	6,90	85.2 (2,28)	111.0 (2,98)	111.0 (2,98)
125			8,62	103.8 (2,78)	135.2 (3,62)	135.2 (3,62)	
150	10,3	122.4 (3,28)	159.3 (4,27)	159.3 (4,27)			
6 to 20 psig (0,41 to 1,38 bar)  10C1238X012  Silver Stripe	10	0,69	15	1,03	11.3 (0,30)	23.6 (0,63)	24.7 (0,66)
			20	1,38	15.1 (0,40)	30.9 (0,83)	31.5 (0,84)
			40	2,76	26.3 (0,70)	52.9 (1,42)	52.9 (1,42)
			60	4,14	36.0 (0,96)	72.3 (1,94)	72.3 (1,94)
			80	5,52	45.6 (1,22)	91.6 (2,46)	91.6 (2,46)
			100	6,90	55.2 (1,48)	111.0 (2,98)	111.0 (2,98)
			125	8,62	67.3 (1,80)	135.2 (3,62)	135.2 (3,62)
	150	10,3	79.3 (2,12)	159.3 (4,27)	159.3 (4,27)		
	20	1,38	25	1,72	28.5 (0,76)	31.2 (0,84)	33.2 (0,89)
			30	2,07	37.1 (0,99)	38.8 (1,04)	40.1 (1,08)
			40	2,76	50.4 (1,35)	51.2 (1,37)	51.9 (1,39)
			60	4,14	72.0 (1,93)	72.2 (1,94)	72.3 (1,94)
			80	5,52	91.6 (2,46)	91.6 (2,46)	91.6 (2,46)
			100	6,90	111.0 (2,98)	111.0 (2,98)	111.0 (2,98)
125			8,62	135.2 (3,62)	135.2 (3,62)	135.2 (3,62)	
150	10,3	159.3 (4,27)	159.3 (4,27)	159.3 (4,27)			
16 to 30 psig (1,10 to 2,07 bar)  10C1240X012  Red Stripe	20	1,38	25	1,72	17.2 (0,46)	31.2 (0,84)	33.2 (0,89)
			30	2,07	22.1 (0,59)	38.8 (1,04)	40.1 (1,08)
			40	2,76	29.8 (0,80)	51.2 (1,37)	51.9 (1,39)
			60	4,14	42.5 (1,14)	72.2 (1,94)	72.3 (1,94)
			80	5,52	54.1 (1,45)	91.6 (2,46)	91.6 (2,46)
			100	6,90	65.5 (1,76)	111.0 (2,98)	111.0 (2,98)
			125	8,62	79.8 (2,14)	135.2 (3,62)	135.2 (3,62)
	150	10,3	94.0 (2,52)	159.3 (4,27)	159.3 (4,27)		
	30	2,07	35	2,40	34.4 (0,92)	38.7 (1,04)	41.8 (1,12)
			40	2,76	38.4 (1,03)	46.6 (1,25)	48.8 (1,31)
			60	4,14	61.2 (1,64)	71.0 (1,90)	71.6 (1,92)
			80	5,52	79.7 (2,14)	91.5 (2,45)	91.6 (2,46)
			100	6,90	96.9 (2,60)	111.0 (2,98)	111.0 (2,98)
			125	8,62	118.0 (3,16)	135.2 (3,62)	135.2 (3,62)
150			10,3	139.1 (3,73)	159.3 (4,27)	159.3 (4,27)	
26 to 40 psig (1,79 to 2,76 bar)  10C1241X012  Blue Stripe	30	2,07	35	2,40	19.7 (0,53)	38.7 (1,04)	41.8 (1,12)
			40	2,76	24.6 (0,66)	46.6 (1,25)	48.8 (1,31)
			60	4,14	39.0 (1,04)	71.0 (1,90)	71.6 (1,92)
			80	5,52	50.7 (1,36)	91.5 (2,45)	91.6 (2,46)
			100	6,90	61.6 (1,65)	111.0 (2,98)	111.0 (2,98)
			125	8,62	75.0 (2,01)	135.2 (3,62)	135.2 (3,62)
			150	10,3	88.4 (2,37)	159.3 (4,27)	159.3 (4,27)
	40	2,76	45	3,10	30.3 (0,81)	46.2 (1,24)	50.4 (1,35)
			50	3,40	37.1 (0,99)	54.3 (1,46)	57.4 (1,54)
			60	4,14	48.0 (1,29)	67.8 (1,82)	69.7 (1,87)
			80	5,52	65.6 (1,76)	90.5 (2,42)	91.2 (2,44)
			100	6,90	80.9 (2,17)	110.9 (2,97)	111.0 (2,98)
			125	8,62	98.9 (2,65)	135.2 (3,62)	135.2 (3,62)
			150	10,3	116.6 (3,12)	159.3 (4,27)	159.3 (4,27)

1. Outlet pressure setting was made at approximately 10% of the maximum capacity for the listed conditions.  
2. Shaded area is equal to maximum flow capacity.

- continued -

**Table 9. Type 133HP Regulator 40% Capacities in Thousands of SCFH of (0.6 Specific Gravity Gas at 14.7 Psia and 60°F) (continued)**

OUTLET PRESSURE RANGE, CONTROL SPRING NUMBER AND COLOR	OUTLET PRESSURE SETTING <sup>(1)</sup>		INLET PRESSURE		2-INCH (DN 50) BODY SIZE 1.91-INCHES (48,5 mm) ORIFICE SIZE		
	Psig	bar	Psig	bar	Droop from Setpoint		
					10% SCFH (Nm <sup>3</sup> /h)	20% SCFH (Nm <sup>3</sup> /h)	30% SCFH (Nm <sup>3</sup> /h)
36 to 50 psig (2,48 to 3,45 bar) 10C1242X012 Green Stripe	40	2,76	45	3,10	24.6 (0,66)	46.2 (1,24)	50.4 (1,35)
			50	3,45	30.0 (0,80)	54.3 (1,46)	57.4 (1,54)
			60	4,14	38.8 (1,04)	67.8 (1,82)	69.7 (1,87)
			80	5,52	52.9 (1,42)	90.5 (2,42)	91.2 (2,44)
			100	6,90	65.3 (1,75)	110.9 (2,97)	111.0 (2,98)
			125	8,62	79.8 (2,14)	135.2 (3,62)	135.2 (3,62)
			150	10,3	94.0 (2,52)	159.3 (4,27)	159.3 (4,27)
	50	3,45	55	3,79	34.8 (0,93)	53.7 (1,44)	59.0 (1,58)
			60	4,14	41.8 (1,12)	61.9 (1,66)	66.0 (1,77)
			80	5,52	62.9 (1,69)	88.1 (2,36)	89.8 (2,41)
			100	6,90	79.7 (2,14)	110.0 (2,95)	110.7 (2,97)
			125	8,62	98.7 (2,64)	135.2 (3,62)	135.2 (3,62)
			150	10,3	116.6 (3,12)	159.3 (4,27)	159.3 (4,27)
			45 to 60 psig (3,10 to 4,14 bar) 10C1243X012 White Stripe	50	3,45	55	3,79
60	4,14	35.3 (0,95)				61.9 (1,66)	66.0 (1,77)
80	5,52	53.0 (1,42)				88.1 (2,36)	89.8 (2,41)
100	6,90	67.2 (1,80)				110.0 (2,95)	110.7 (2,97)
125	8,62	83.1 (2,23)				135.2 (3,62)	135.2 (3,62)
150	10,3	98.1 (2,63)				159.3 (4,27)	159.3 (4,27)
60	4,14	65				4,48	39.5 (1,06)
		70		4,83	46.7 (1,25)	69.5 (1,86)	74.6 (2,00)
		80		5,52	58.6 (1,57)	83.8 (2,25)	87.2 (2,34)
		100		6,90	77.8 (2,08)	108.0 (2,89)	109.6 (2,94)
		125		8,62	98.1 (2,63)	134.6 (3,61)	135.1 (3,62)
		150		10,3	116.8 (3,13)	159.3 (4,27)	159.3 (4,27)

1. Outlet pressure setting was made at approximately 10% of the maximum capacity for the listed conditions.  
2. Shaded area is equal to maximum flow capacity.

**Table 10. Type 133HP Regulator 60% Capacities in Thousands of SCFH of (0.6 Specific Gravity Gas at 14.7 Psia and 60°F)**

OUTLET PRESSURE RANGE, CONTROL SPRING NUMBER AND COLOR	OUTLET PRESSURE SETTING <sup>(1)</sup>		INLET PRESSURE		2-INCH (DN 50) BODY SIZE 1.91-INCHES (48,5 mm) ORIFICE SIZE		
	Psig	bar	Psig	bar	Droop from Setpoint		
					10% SCFH (Nm <sup>3</sup> /h)	20% SCFH (Nm <sup>3</sup> /h)	30% SCFH (Nm <sup>3</sup> /h)
2 to 5 psig (0,14 to 0,34 bar) 17B8632X012 Yellow Stripe	2	0,14	10	0,69	9.1 (0,24)	17.7 (0,47)	26.4 (0,71)
			20	1,38	14.5 (0,39)	28.3 (0,76)	42.1 (1,13)
			40	2,76	24.2 (0,65)	47.1 (1,26)	70.0 (1,88)
			60	4,14	33.5 (0,90)	65.2 (1,75)	96.9 (2,60)
			80	5,52	42.6 (1,14)	83.0 (2,22)	123.4 (3,31)
			100	6,90	51.8 (1,39)	100.8 (2,70)	149.8 (4,02)
			150	10,3	74.5 (2,00)	145.0 (3,89)	215.6 (5,78)
	5	0,34	10	0,69	18.8 (0,50)	26.1 (0,70)	27.0 (0,72)
			20	1,38	33.6 (0,90)	45.7 (1,22)	46.1 (1,24)
			40	2,76	57.8 (1,55)	78.4 (2,10)	78.5 (2,10)
			60	4,14	80.5 (2,16)	109.1 (2,92)	109.2 (2,93)
			80	5,52	102.9 (2,76)	139.4 (3,74)	139.4 (3,74)
			100	6,90	125.1 (3,35)	169.4 (4,54)	169.4 (4,54)
			150	10,3	152.7 (4,09)	206.7 (5,54)	206.8 (5,54)

1. Outlet pressure setting was made at approximately 10% of the maximum capacity for the listed conditions.  
2. Shaded area is equal to maximum flow capacity.

- continued -

# Bulletin 71.1:133

**Table 10. Type 133HP Regulator 60% Capacities in Thousands of SCFH of (0.6 Specific Gravity Gas at 14.7 Psia and 60°F) (continued)**

OUTLET PRESSURE RANGE, CONTROL SPRING NUMBER AND COLOR	OUTLET PRESSURE SETTING <sup>(1)</sup>		INLET PRESSURE		2-INCH (DN 50) BODY SIZE 1.91-INCHES (48,5 mm) ORIFICE SIZE		
					Droop from Setpoint		
	Psig	bar	Psig	bar	10% SCFH (Nm <sup>3</sup> /h)	20% SCFH (Nm <sup>3</sup> /h)	30% SCFH (Nm <sup>3</sup> /h)
4.5 to 10 psig (0,31 to 0,69 bar)  17B8633X012  Orange Stripe	5	0,34	10	0,69	10.0 (0,27)	20.0 (0,54)	27.0 (0,72)
			20	1,38	17.7 (0,47)	34.8 (0,93)	46.1 (1,24)
			40	2,76	30.4 (0,82)	59.5 (1,60)	78.5 (2,10)
			60	4,14	42.3 (1,13)	82.9 (2,22)	109.2 (2,93)
			80	5,52	54.0 (1,45)	105.8 (2,84)	139.4 (3,74)
			100	6,90	65.7 (1,76)	128.6 (3,45)	169.4 (4,54)
			125	8,62	80.1 (2,15)	157.0 (4,21)	206.8 (5,54)
	150	10,3	94.6 (2,54)	185.2 (4,96)	244.0 (6,54)		
	10	0,69	25	1,72	38.3 (1,03)	51.2 (1,37)	52.1 (1,40)
			30	2,07	45.1 (1,21)	60.0 (1,61)	60.7 (1,63)
			40	2,76	57.8 (1,55)	76.6 (2,05)	77.1 (2,07)
			60	4,14	81.8 (2,19)	108.0 (2,89)	108.3 (2,90)
			80	5,52	105.1 (2,82)	138.6 (3,71)	138.8 (3,72)
			100	6,90	128.0 (3,43)	168.8 (4,52)	168.9 (4,53)
125			8,62	156.5 (4,19)	206.3 (5,53)	206.4 (5,53)	
150	10,3	184.9 (4,96)	243.7 (6,53)	243.8 (6,53)			
6 to 20 psig (0,41 to 1,38 bar)  10C1238X012  Silver Stripe	10	0,69	15	1,03	14.6 (0,39)	31.1 (0,83)	32.7 (0,88)
			20	1,38	20.0 (0,54)	41.8 (1,12)	42.9 (1,15)
			40	2,76	37.3 (1,00)	76.6 (2,05)	77.1 (2,07)
			60	4,14	52.7 (1,41)	108.0 (2,89)	108.3 (2,90)
			80	5,52	67.7 (1,81)	138.6 (3,71)	138.8 (3,72)
			100	6,90	82.5 (2,21)	168.8 (4,52)	168.9 (4,53)
			125	8,62	100.8 (2,70)	206.3 (5,53)	206.4 (5,53)
	150	10,3	119.1 (3,19)	243.7 (6,53)	243.8 (6,53)		
	20	1,38	25	1,72	36.9 (0,99)	40.9 (1,10)	44.2 (1,18)
			30	2,07	49.2 (1,32)	52.0 (1,39)	54.5 (1,46)
			40	2,76	69.2 (1,86)	71.1 (1,90)	72.7 (1,95)
			60	4,14	103.6 (2,78)	104.7 (2,81)	105.7 (2,83)
			80	5,52	135.5 (3,63)	136.3 (3,65)	136.9 (3,67)
			100	6,90	166.5 (4,46)	167.0 (4,48)	167.6 (4,49)
125			8,62	204.6 (5,48)	205.0 (5,49)	205.4 (5,50)	
150	10,3	242.3 (6,49)	242.7 (6,50)	243.0 (6,51)			
16 to 30 psig (1,10 to 2,07 bar)  10C1240X012  Red Stripe	20	1,38	25	1,72	22.0 (0,59)	40.9 (1,10)	44.2 (1,18)
			30	2,07	28.9 (0,78)	52.0 (1,39)	54.5 (1,46)
			40	2,76	40.5 (1,08)	71.1 (1,90)	72.7 (1,95)
			60	4,14	60.4 (1,62)	104.7 (2,81)	105.7 (2,83)
			80	5,52	78.9 (2,12)	136.3 (3,65)	136.9 (3,67)
			100	6,90	96.9 (2,60)	167.0 (4,48)	167.6 (4,49)
			125	8,62	119.0 (3,19)	205.0 (5,49)	205.4 (5,50)
	150	10,3	141.0 (3,78)	242.7 (6,50)	243.0 (6,51)		
	30	2,07	35	2,41	39.1 (1,05)	50.7 (1,36)	55.7 (1,49)
			40	2,76	50.1 (1,34)	62.1 (1,66)	66.0 (1,77)
			60	4,14	84.3 (2,26)	99.7 (2,67)	101.8 (2,73)
			80	5,52	113.6 (3,04)	132.8 (3,56)	134.3 (3,60)
			100	6,90	141.2 (3,78)	164.5 (4,41)	165.6 (4,44)
			125	8,62	174.8 (4,68)	203.1 (5,44)	203.9 (5,46)
150			10,3	207.9 (5,57)	241.2 (6,46)	241.8 (6,48)	
26 to 40 psig (1,79 to 2,76 bar)  10C1241X012  Blue Stripe	30	2,07	35	2,41	25.0 (0,67)	50.7 (1,36)	55.7 (1,49)
			40	2,76	31.9 (0,86)	62.1 (1,66)	66.0 (1,77)
			60	4,14	53.4 (1,43)	99.7 (2,67)	101.8 (2,73)
			80	5,52	71.9 (1,93)	132.8 (3,56)	134.3 (3,60)
			100	6,90	89.3 (2,39)	164.5 (4,41)	165.6 (4,44)
			125	8,62	110.5 (2,96)	203.1 (5,44)	203.9 (5,46)
			150	10,3	131.4 (3,52)	241.2 (6,46)	241.8 (6,48)
	40	2,76	45	3,10	38.5 (1,03)	60.5 (1,62)	67.1 (1,80)
			50	3,45	48.0 (1,29)	72.1 (1,93)	77.5 (2,08)
			60	4,14	63.9 (1,71)	92.5 (2,48)	96.4 (2,58)
			80	5,52	90.8 (2,43)	128.1 (3,43)	130.7 (3,50)
			100	6,90	115.0 (3,08)	161.0 (4,32)	162.9 (4,37)
			125	8,62	144.0 (3,86)	200.5 (5,37)	201.9 (5,41)
			150	10,3	172.1 (4,61)	239.1 (6,41)	240.2 (6,44)

1. Outlet pressure setting was made at approximately 10% of the maximum capacity for the listed conditions.  
2. Shaded area is equal to maximum flow capacity.

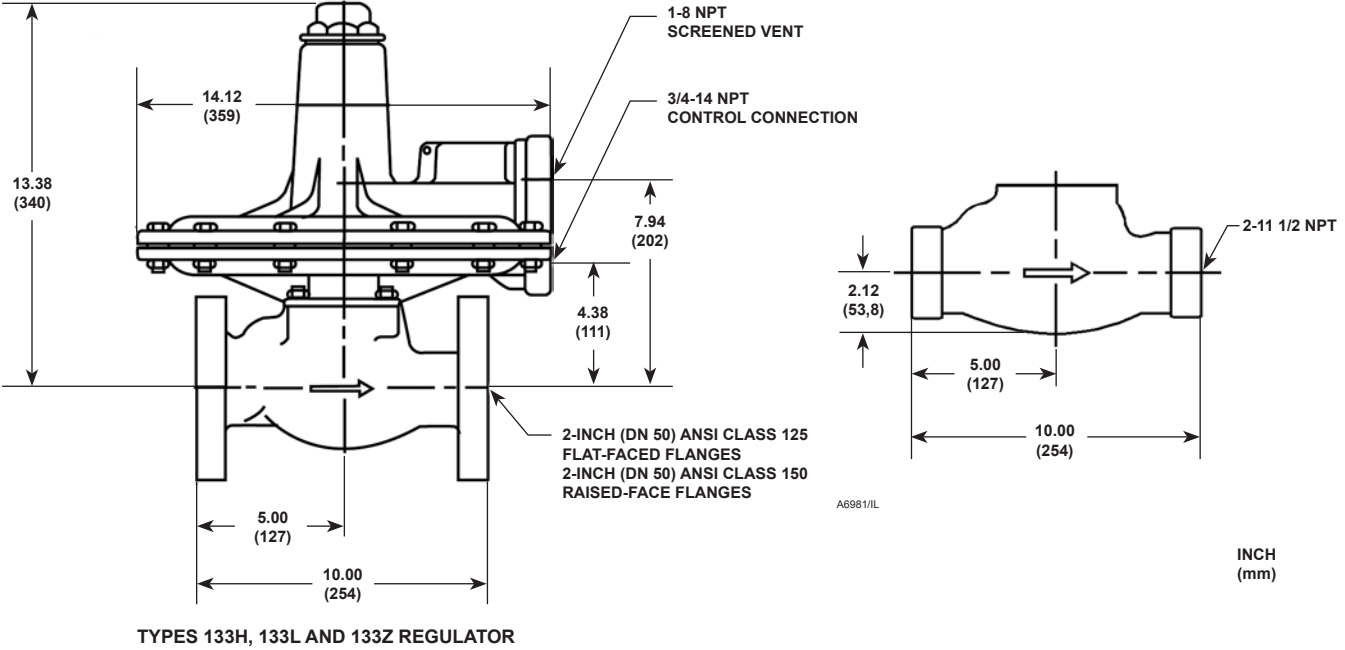
- continued -



**Table 10.** Type 133HP Regulator 60% Capacities in Thousands of SCFH of (0.6 Specific Gravity Gas at 14.7 Psia and 60°F) (continued)

OUTLET PRESSURE RANGE, CONTROL SPRING NUMBER AND COLOR	OUTLET PRESSURE SETTING <sup>(1)</sup>		INLET PRESSURE		2-INCH (DN 50) BODY SIZE 1.91-INCHES (48,5 mm) ORIFICE SIZE		
	Psig	bar	Psig	bar	Droop from Setpoint		
					10% SCFH (Nm <sup>3</sup> /h)	20% SCFH (Nm <sup>3</sup> /h)	30% SCFH (Nm <sup>3</sup> /h)
36 to 50 psig (2,48 to 3,45 bar)  10C1242X012  Green Stripe	40	2,76	45	3,10	31.2 (0,84)	60.5 (1,62)	67.1 (1,80)
			50	3,45	38.8 (1,04)	72.1 (1,93)	77.5 (2,08)
			60	4,14	51.5 (1,38)	92.5 (2,48)	96.4 (2,58)
			80	5,52	73.1 (1,96)	128.1 (3,43)	130.7 (3,50)
			100	6,90	92.6 (2,48)	161.0 (4,32)	162.9 (4,37)
			125	8,62	115.8 (3,10)	200.5 (5,37)	201.9 (5,41)
			150	10,3	138.5 (3,71)	239.1 (6,41)	240.2 (6,44)
	50	3,45	55	3,79	44.2 (1,18)	70.3 (1,88)	78.6 (2,11)
			60	4,14	53.9 (1,44)	82.1 (2,20)	89.0 (2,38)
			80	5,52	84.8 (2,27)	121.7 (3,26)	125.9 (3,37)
			100	6,90	110.9 (2,97)	156.4 (4,19)	159.4 (4,27)
			125	8,62	140.9 (3,78)	197.1 (5,28)	199.3 (5,34)
			150	10,3	169.7 (4,55)	236.5 (6,34)	238.2 (6,38)
			45 to 60 psig (3,10 to 4,14 bar)  10C1243X012  White Stripe	50	3,45	55	3,79
60	4,14	45.4 (1,22)				82.1 (2,20)	89.0 (2,38)
80	5,52	71.4 (1,91)				121.7 (3,26)	125.9 (3,37)
100	6,90	93.2 (2,50)				156.4 (4,19)	159.4 (4,27)
125	8,62	118.4 (3,17)				197.1 (5,28)	199.3 (5,34)
150	10,3	142.6 (3,82)				236.5 (6,34)	238.2 (6,38)
60	4,14	65				4,48	50.0 (1,34)
		70		4,83	59.9 (1,60)	92.0 (2,47)	100.5 (2,69)
		80		5,52	77.0 (2,06)	113.2 (3,03)	119.8 (3,21)
		100		6,90	105.8 (2,84)	150.5 (4,03)	155.0 (4,15)
		125		8,62	137.5 (3,68)	192.9 (5,17)	196.2 (5,26)
		150		10,3	167.4 (4,49)	233.2 (6,25)	235.8 (6,32)

1. Outlet pressure setting was made at approximately 10% of the maximum capacity for the listed conditions.  
2. Shaded area is equal to maximum flow capacity.



**Figure 9.** Dimensions

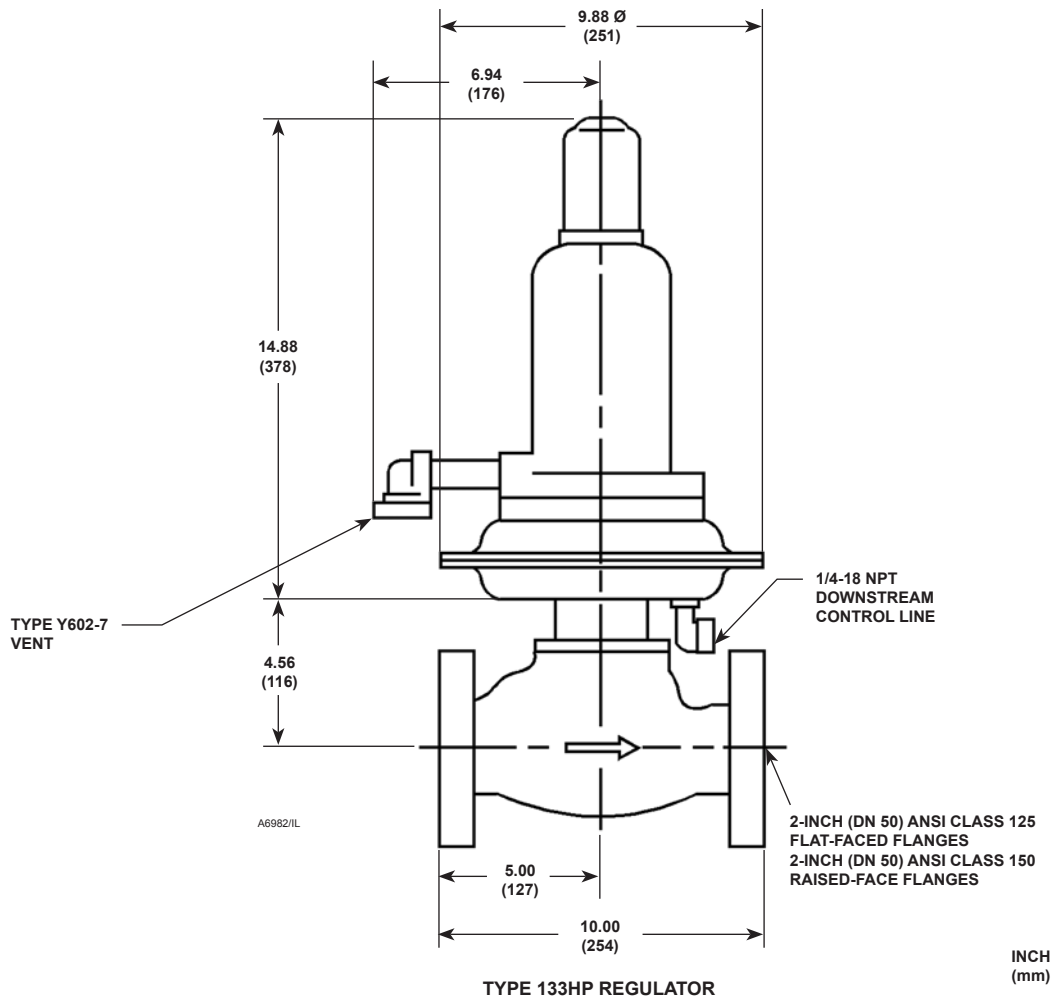


Figure 9. Dimensions (continued)