



CV10/S1-S2

CHECK VALVES

GENERAL FEATURES

Check valves are commonly used armatures that can be applied for liquid, gaseous and steam applications. They increase the process safety and can be used instead of complicated armatures. Because of short installation time and installation distance, small dimensions; Ayvaz disco check valve appears to be advantageous.

Check valves provide the flows just one way. When liquid flows through to flowing direction, check valves open and let it pass. But liquid tries to flow opposite direction of flowing, check valves close and prevent passing.

Connection:

Wafer type

Nominal Diameter:

DN15 (1/2") - DN100 (4")

Working Pressure: Up to 40 bars

Typical Applications:

- Iron and steel industry
- Heating air-conditioning pipe lines
- Mineral, oil industry
- Wood working, pulp and paper industry
- Textile industry
- Water and condensate lines
- Nautical industry

SIZES	
mm	inches
15-100	1/2" - 4"

SEATS		VALVES	
		CV10/S1	CV10/S2
METAL	max	300 °C	300 °C
	min	-60 °C	-60 °C
NBR	max	120 °C	120 °C
	min	-30 °C	-30 °C
EPDM	max	150 °C	150 °C
	min	-40 °C	-40 °C
FKM	max	200 °C	200 °C
	min	-25 °C	-25 °C
PTFE	max	230-250 °C	230-250 °C
	min	-60 °C	-60 °C

WEIGHTS									
Connection Type	Flanged								
Sizes (mm)	15	20	25	32	40	50	65	80	100
Weights (kg)	0,08	0.13	0.18	0.33	0.54	0.89	1.2	2.1	3.1

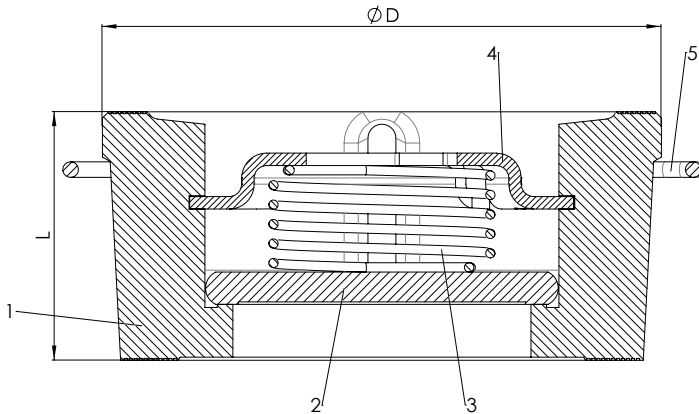
OPERATING CONDITIONS	
Nominal Pressure PN	40
Max. Operating Pressure (bar)	40-38-37
Temp. Related to Pressure (°C)	100-200-300

CONNECTIONS	
Wafer Type	BS 10 tables D, E, F DIN 2501 (PN 6/10/16) ANSI B 16.1 class 125 FF

CV10/S1-S2 CHECK VALVES

The curves given in the chart are valid for water at 20°C. To read the pressure drop for other fluids the equivalent water volume flow rate must be calculated and used in the graph.

The values indicated in the chart are applicable to spring - loaded valves with horizontal flow.

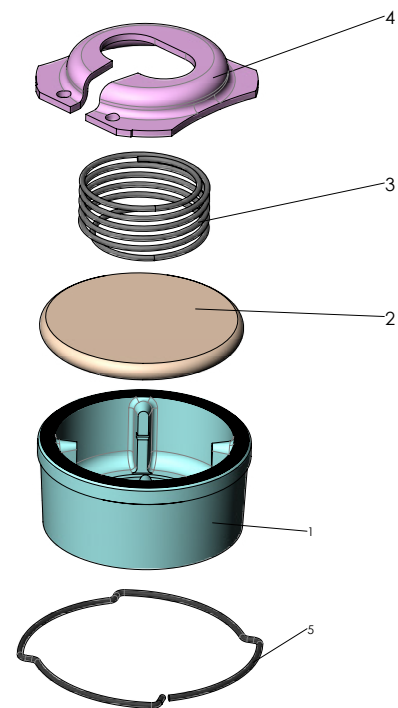
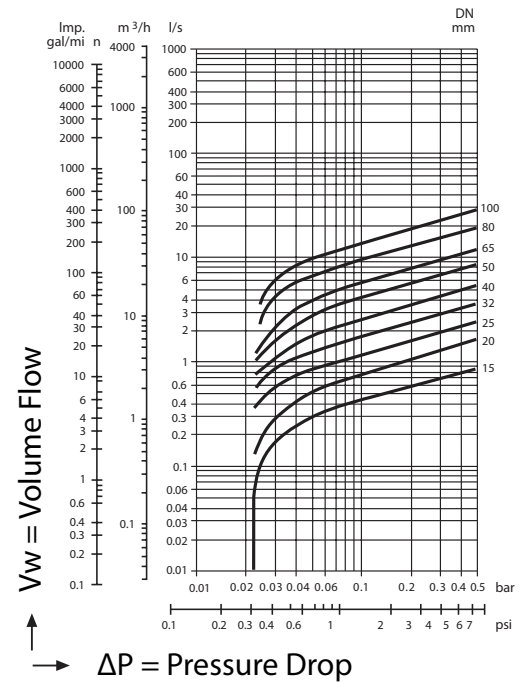


SPARE PARTS	CV 10/S1	CV 10/S2
1 Body	AISI 304 Stainless Steel	AISI 316 Stainless Steel
2 Disc	AISI 304 Stainless Steel	AISI 316 Stainless Steel
3 Spring	AISI 304 Stainless Steel	AISI 316 Stainless Steel
4 Segment	AISI 304 Stainless Steel	AISI 316 Stainless Steel
5 Centering Hoop	AISI 304 Stainless Steel	AISI 316 Stainless Steel

DIMENSIONS									
Diameter mm	15	20	25	32	40	50	65	80	100
L (mm)	16	19	21	27	31	40	46	50	60
D (mm)	39	46	54	70	80	96	113	130	150

OPENING PRESSURE MBAR				
DN	Flow Direction			
	Without Spring ↑	Spring ↑	⇒	↓
15	2.5	25	22.5	20
20	2.5	25	22.5	20
25	2.5	25	22.5	20
32	3.5	27	23.5	20
40	4	28	24	20
50	4.5	29	24.5	20
65	5	30	25	20
80	5.5	31	25.5	20
100	6.5	33	26.5	20

Pressure Drop Chart



HEAD OFFICE - FACTORY

Atatürk Sanayi Bölgesi Hadımköy Mahallesi Mustafa İnan Caddesi No: 44 Arnavutköy - İSTANBUL
 Tel: +90 212 771 01 45 (pbx) | Fax: +90 212 771 47 27
 info@ayvaz.com | www.ayvaz.com

Cona
 Caserta/Italy
 Tel: +39 0823 187 3988
 rmolaro@ayvaz.com

Ayvaz Russia
 Moscow/Russia
 Tel: +74959951728
 ayvazrus@ayvaz.com

Ayvaz Germany
 Viernheim/Germany
 Tel: +49 62046014399
 germany@ayvaz.com

Ayvaz Ukraine
 Kiev/Ukraine
 Tel: +380 44 390 57 57
 info@ayvaz.com.ua

Tricorr
 Warsaw/Poland
 Tel: +48-32-783-295-1
 tricorr@tricorr.eu

Ayvaz Baku
 Baku/Azerbaijan
 Tel: +99(455) 579-84-32
 ahayatov@ayvaz.com

Haci Ayvaz M.E.
 Dubai/U.A.E
 Tel: +971 563550822
 +971 501306871
 mideast@ayvaz.com

Ayvaz China
 Jinan/China
 Tel: +86 0574 5897 3851
 info@ayvazchina.com

Ayvaz Kazakhstan LLP
 Almaty/Kazakhstan
 Tel: +7 (727) 327 97 57
 info_kz@ayvaz.com
 www.ayvaz.kz

Ayvaz N
 Isperih/Bulgaria
 Tel: +359 8431 27 32
 office@ayvaz-n.eu

Ayvaz Serbia
 Belgrade/Serbia
 Tel: +381 61 658 70 52
 yakbiyik@ayvaz.com

Ayvaz Vietnam
 HCMC/Vietnam
 ggursoy@ayvaz.com
 Tel: +84 89 8508345