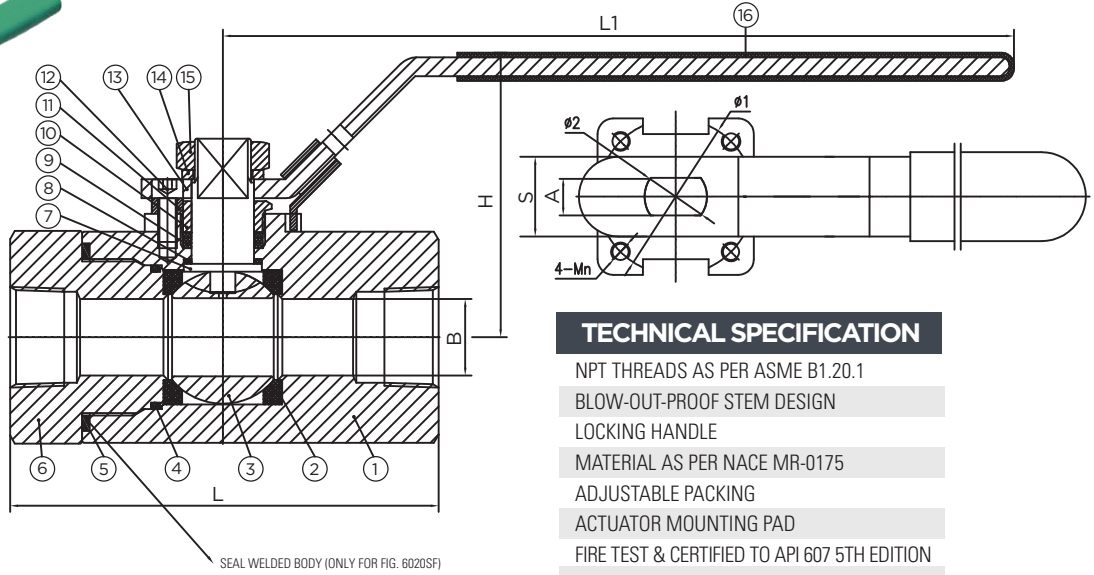
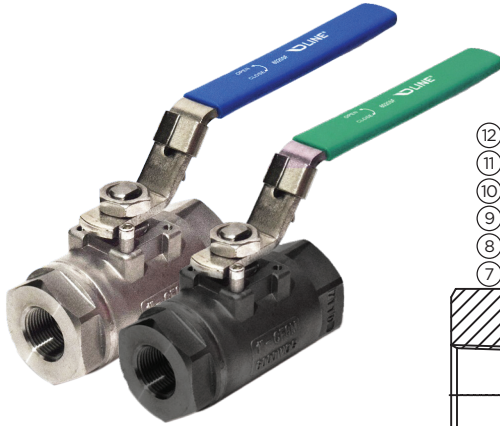


## 6000 PSI 2 PC FP BALL VALVE



### FEATURES

- SIZE: 1/4" - 2"
- PORT: 1/4"-1 1/2" (FULL PORT)  
2" REDUCED PORT
- PRESSURE: 6000 WOG
- TEMPERATURE: -150 TO 500 F°
- CONNECTION: FEMALE NPT

### TECHNICAL SPECIFICATION

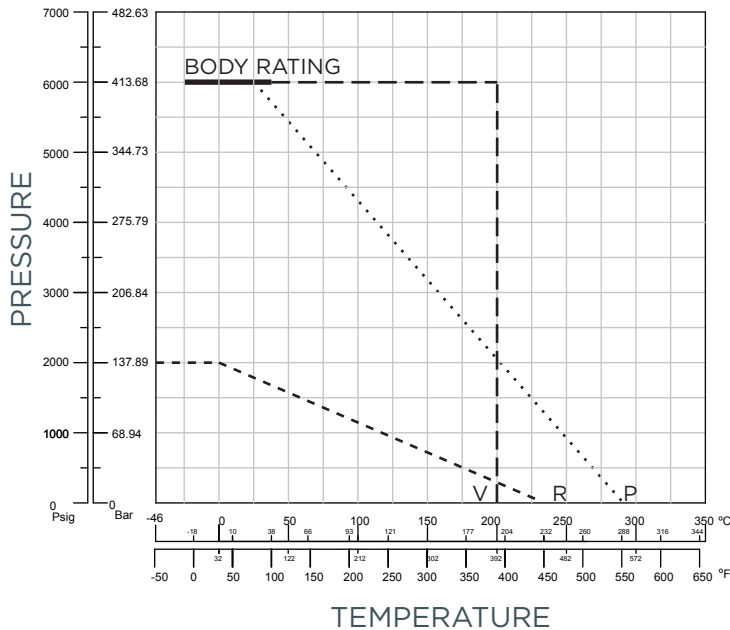
- NPT THREADS AS PER ASME B1.20.1
- BLOW-OUT-PROOF STEM DESIGN
- LOCKING HANDLE
- MATERIAL AS PER NACE MR-0175
- ADJUSTABLE PACKING
- ACTUATOR MOUNTING PAD
- FIRE TEST & CERTIFIED TO API 607 5TH EDITION
- SUITABLE FOR WATER, OIL & GAS
- SEAL WELDED (ONLY FOR FIG. 6020SF)

### DIMENSIONS & WEIGHTS

| SIZE   | B    | L    | H    | L1    | Ø1   | Mn | Ø2   | A    | S    | WEIGHT (KG) |
|--------|------|------|------|-------|------|----|------|------|------|-------------|
| 1/4"   | 0.39 | 4.37 | 2.71 | 5.90  | 1.41 | M5 | 0.47 | 0.27 | 0.68 | 1.50        |
| 3/8"   | 0.39 | 4.37 | 2.71 | 5.90  | 1.41 | M5 | 0.47 | 0.27 | 0.68 | 1.50        |
| 1/2"   | 0.51 | 4.37 | 2.71 | 5.90  | 1.41 | M5 | 0.47 | 0.27 | 0.68 | 1.40        |
| 3/4"   | 0.74 | 4.37 | 3.38 | 7.48  | 1.65 | M5 | 0.55 | 0.35 | 0.84 | 2.00        |
| 1"     | 0.98 | 5.39 | 3.74 | 9.84  | 1.65 | M5 | 0.78 | 0.47 | 1.02 | 3.70        |
| 1 1/4" | 1.25 | 5.39 | 3.74 | 9.64  | 1.96 | M6 | 0.78 | 0.47 | 1.02 | 6.55        |
| 1 1/2" | 1.49 | 6.29 | 5.31 | 14.56 | 2.75 | M8 | 0.94 | 0.59 | 1.47 | 9.36        |
| 2"     | 1.49 | 6.29 | 5.43 | 14.56 | 2.75 | M8 | 0.94 | 0.59 | 1.47 | 9.40        |

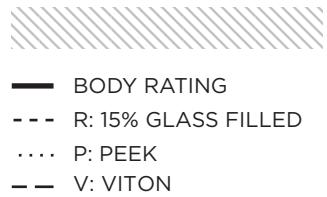
### MATERIAL LIST

|    |               | 6020SF             | 6020CF            |
|----|---------------|--------------------|-------------------|
| 1  | BODY          | ASTM A351 Gr. CF8M | ASTM A216 Gr. WCB |
| 2  | SEAT          | PEEK               | PEEK              |
| 3  | BALL          | SS316              | SS316             |
| 4  | O-RING        | VITON              | VITON             |
| 5  | BODY SEAL     | GRAPHITE           | GRAPHITE          |
| 6  | CAP           | ASTM A351 Gr. CF8M | ASTM A216 Gr. WCB |
| 7  | STEM          | SS316              | SS316             |
| 8  | THRUST WASHER | RPTFE              | RPTFE             |
| 9  | STEM PACKING  | CPTFE              | CPTFE             |
| 10 | GLAND BUSHING | A2-70              | A2-70             |
| 11 | PIN COVER     | SS304              | SS304             |
| 12 | PIN NUT       | ASTM A193 Gr. B7   | ASTM A193 Gr. B7  |
| 13 | HANDLE        | SS201              | SS201             |
| 14 | HANDLE WASHER | 65Mn               | 65Mn              |
| 15 | HANDLE NUT    | A2-70              | A2-70             |
| 16 | HANDLE COVER  | PVC                | PVC               |



### TEST SPECIFICATION

- TEST ACCORDANCE TO PER API 598
- SHELL TEST: 9000 PSI
- SEAT TEST: 6600 PSI
- AIR TEST: 87 PSI



\*DIMENSIONS ARE EXPRESSED IN INCHES