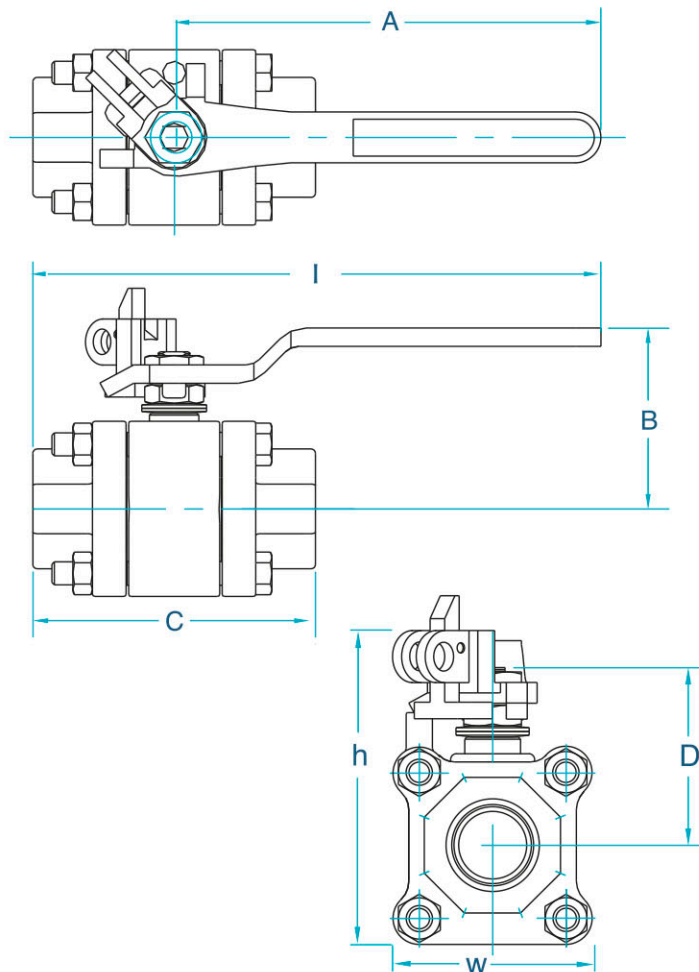


SERIES 400 REDUCED and FULL BORE

Materiales de sellos y asientos • Seal and seat materials

Asiento Seat	Sello del cuerpo Body seal	Sello del vástago Steam seal
B BUNA	B - BUNA	
* T PTFE	* T - PTFE	* R R-PTFE
R R-PTFE	M - MULTIFIL	
M MULTIFIL	V - VITON	
I PTFE + INOX.	G - GRAFOIL	
Y DELRIN		M MULTIFIL
U UHMWPE		
P PEEK		

* Materiales estándar / Standard materials



Dimensiones • Dimensions



Serie 400 Paso Reducido (Carbón e Inoxidable)
Series 400 (Carbon and Stainless Steel) Reduced bore

Medida Size	A	B	C	D	Paso Bore	Peso / Weight		I	h	W
						kg	lb	Largo Length	Altura Height	Ancho Width
1/2"	4.30	1.65	2.61	1.51	.440	0.590	1.300	5.63	2.58	1.75
3/4"	4.30	1.73	2.83	1.55	.560	0.800	1.800	5.74	2.74	2.00
1"	5.75	2.40	3.75	2.17	.810	1.490	3.300	7.57	3.59	2.38
1 1/4"	5.86	2.49	4.22	2.35	1.000	2.010	4.400	7.98	3.82	2.63
1 1/2"	7.13	3.02	4.62	2.89	1.250	3.330	7.300	9.45	4.62	3.19
2"	7.14	3.15	5.01	3.07	1.500	4.400	9.700	9.65	5.00	3.57

Serie 400 Paso Completo (Carbón e Inoxidable)
Series 400 (Carbon and Stainless Steel) Full bore

Medida Size	A	B	C	D	Paso Bore	Peso / Weight		I	h	W
						kg	lb	Largo Length	Altura Height	Ancho Width
1/4"	4.30	1.71	2.61	1.49	.440	0.620	1.400	5.63	2.58	1.75
3/8"	4.30	1.65	2.61	1.51	.440	0.590	1.300	5.63	2.58	1.75
1/2"	4.30	1.73	2.83	1.55	.560	0.80	1.800	5.74	2.74	2.00
3/4"	5.75	2.40	3.75	2.17	.810	1.490	3.300	7.57	3.59	2.38
1"	5.86	2.49	4.22	2.35	1.000	2.010	4.400	7.98	3.82	2.63
1 1/4"	7.13	3.02	4.62	2.89	1.250	3.330	7.300	9.45	4.62	3.19
1 1/2"	7.14	3.15	5.01	3.07	1.500	4.400	9.700	9.65	5.00	3.57
2"	14.12	4.84	5.87	4.68	2.000	9.910	21.900	17.06	7.12	4.55

Nota: Dimensiones en pulgadas • Note: All dimensions in inch