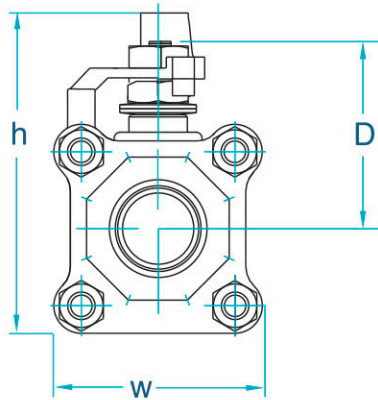
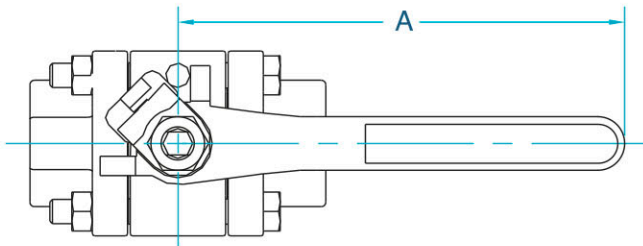


SERIES 400 REDUCED and FULL BORE



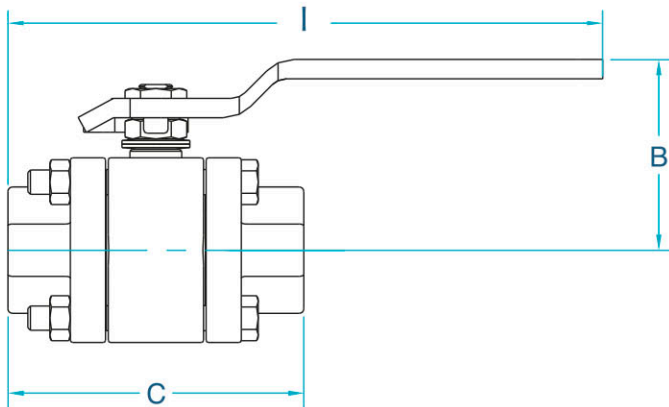
Serie 400 (Latón) Paso Reducido
Series 400 (Brass) Reduced bore

Medida Size	A	B	C	D	Paso Bore	Peso / Weight		Largo Length	h Altura Height	W Ancho Width
						kg	lb			
1/2"	4.30	1.58	2.61	1.50	.450	0.590	1.300	5.56	2.50	1.79
3/4"	4.30	1.87	2.83	1.50	.560	0.750	1.600	5.74	2.72	2.00
1"	5.84	2.21	3.69	2.19	.810	1.460	3.200	7.69	3.58	2.45
1 1/4"	5.75	2.76	4.16	2.35	1.000	2.010	4.400	7.81	3.96	2.63
1 1/2"	7.00	3.02	4.56	2.89	1.250	2.940	6.480	9.28	4.51	3.06
2"	7.00	3.21	4.94	3.13	1.500	4.010	8.800	9.52	5.00	3.48



Serie 400 (Latón) Paso Completo
Series 400 (Brass) Full bore

Medida Size	A	B	C	D	Paso Bore	Peso / Weight		Largo Length	h Altura Height	W Ancho Width
						kg	lb			
1/4"	4.30	1.75	2.61	1.50	.450	0.620	1.300	5.56	2.65	1.79
3/8"	4.30	1.58	2.61	1.50	.450	0.590	1.300	5.56	2.50	1.79
1/2"	4.30	1.87	2.83	1.50	.560	0.750	1.600	5.74	2.72	2.00
3/4"	5.84	2.21	3.69	2.19	.810	1.460	3.200	7.69	3.58	2.45
1"	5.75	2.76	4.16	2.35	1.000	2.010	4.400	7.81	3.96	2.63
1 1/4"	7.00	3.02	4.56	2.89	1.250	2.940	6.480	9.28	4.51	3.06
1 1/2"	7.00	3.21	4.94	3.13	1.500	4.010	8.800	9.52	5.00	3.48



Nota: Dimensiones en pulgadas • Note: All dimensions in inch