

GLOBE VALVE ANSI CLASS 800 THREADED END, FORGED STEEL

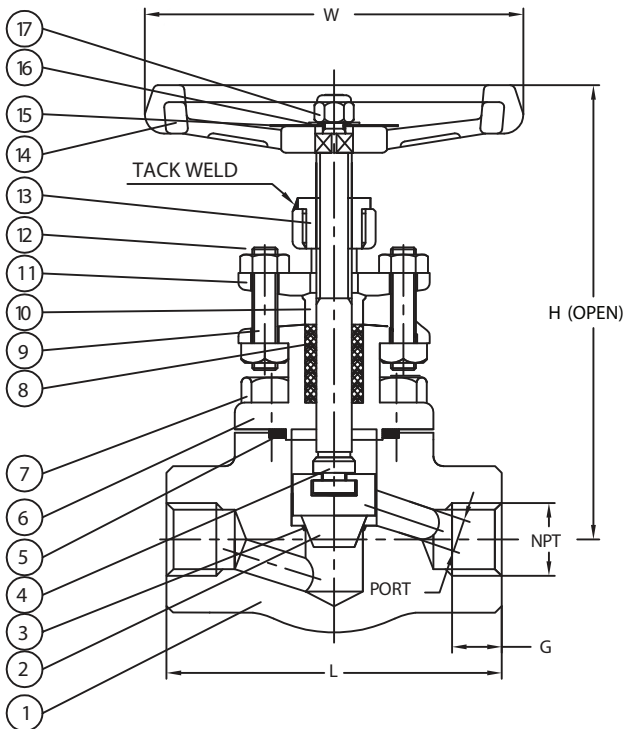


TECHNICAL SPECIFICATION

SHELL WALL THICKNESS: API 602
 VALVE DESIGN: API 602
 THREAD: ASME B1 .20.1
 SOUR SERVICE: NACE MR-0175
 UNIVERSAL TRIM 8

TESTS SPECIFICATION

TEST ACCORDANCE TO PER API 598
 NOMINAL PRESSURE: 1980 PSI
 SHELL TEST: 2970 PSIG
 BACK SEAT & SEAT TEST: 1628 PSIG
 AIR TEST: 87 PSIG



MATERIAL LIST

NO.	DESCRIPTION	MATERIAL
1	BODY	ASTM A -105N
2	DISC	ASTM A -276 Gr. 420
3	SEAT	ASTM A -105+STL#6
4	STEM	ASTM A -182 GR.F6a
5	BODY SEAL	304 +GRAPHITE
6	BONNET	ASTM A - 105N
7	BODY BOLT	ASTM A -193 Gr. B7
8	STEM PACKING	GRAPHITE
9	GLAND BOLT	ASTM A -193 Gr. B7
10	GLAND	ASTM A -276 Gr. 410
11	GLAND FLANGE	ASTM A -105
12	GLAND NUT	ASTM A -194 Gr. 2H
13	SLEEVE	ASTM A -276 Gr. 410
14	HANDWHEEL	ASTM A -197
15	NAMEPLATE	ALUMINIUM
16	WASHER	SS304
17	HANDWHEEL NUT	ASTM A -194 Gr. 2H

DIMENSIONS WEIGHTS & TORQUE

FIGURE	SIZE	PORT	L	H-OPEN	ØW	G	NPT	WEIGHT (KG)	TORQUE (LBS-INCH)
3828T-02	1/4"	DN8	0.24	3.11	6.61	3.94	0.37	1.95	132.98
3828T-03	3/8"	DN10	0.24	3.11	6.61	3.94	0.41	1.95	132.98
3828T-04	1/2"	DN15	0.39	3.11	6.61	3.94	0.54	1.95	132.98
3828T-05	3/4"	DN20	0.51	3.62	6.69	3.94	0.55	2.09	221.63
3828T-06	1"	DN25	0.69	4.37	8.07	4.72	0.69	3.63	336.87
3828T-07	1 1/4"	DN32	0.89	4.65	9.17	5.91	0.71	5.27	620.55
3828T-08	1 1/2"	DN40	1.13	5.51	9.25	5.91	0.72	5.68	620.55
3828T-09	2"	DN50	1.44	6.77	11.10	6.69	0.76	9.17	753.53

*WEIGHT IS ESTIMATED
 *ALL DIMENSIONS ARE EXPRESSED IN INCHES