

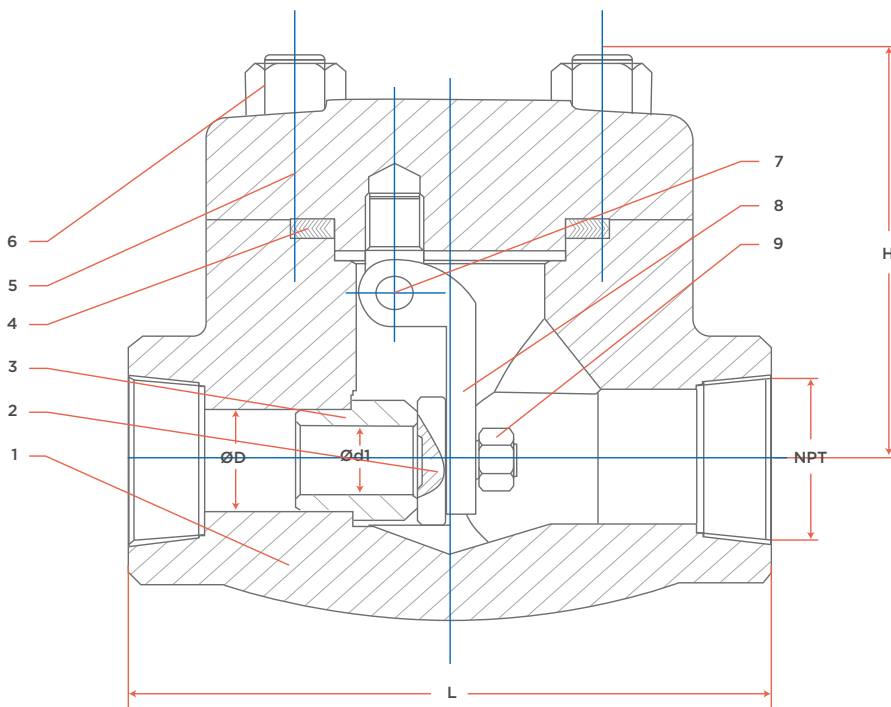


TECHNICAL SPECIFICATION

SHELL WALL THICKNESS: API 602
VALVE DESIGN: API 603
THREAD: ASME B1.20.1
UNIVERSAL TRIM 10
NACE MR-0175

TEST SPECIFICATION

TEST ACCORDANCE TO PER API 598
NOMINAL PRESSURE: 1980 PSIG
SHELL TEST: 2970 PSIG
SEAT TEST: 1628 PSIG



BILL OF MATERIAL LIST

No.	DESCRIPTION	MATERIAL
1	BODY	ASTM A-182 Gr. F316
2	DISC	ASTM A-182 Gr. F316
3	BODY SEAL	ASTM A-182 Gr. 316
4	GASKET	SS304 + GRAPHITE
5	BONNET	ASTM A-182 Gr. F316
6	BODY BOLT	ASTM A-193 Gr. B8M
7	DISC PIN	ASTM A-182 Gr. F316
8	HINGE DISC	ASTM A-182 Gr. F316
9	DISC NUT	ASTM A-194 Gr. 8M

DIMENSIONS & WEIGHTS

MODEL	SIZE		PORT	L	ØDT	H	Ød1	WEIGHT (KG)	CRACKING PRESSURE (PSI)
2831T-04	1/2"	DN15	0.50	3.15	0.59	2.41	0.41	1.10	29 - 43
2831T-05	3/4"	DN20	0.75	3.63	0.67	2.41	0.54	1.35	29 - 43
2831T-06	1"	DN25	1.00	4.37	0.87	3.07	0.71	2.20	29 - 43
2831T-07	1 1/4"	DN32	1.25	4.73	1.26	3.31	0.91	3.30	29 - 43
2831T-08	1 1/2"	DN40	1.50	4.73	1.38	4.06	1.15	6.05	29 - 43
2831T-09	2"	DN50	2.00	5.52	1.66	4.65	1.42	6.75	29 - 43

*WEIGHT IS ESTIMATED
*ALL DIMENSIONS ARE EXPRESSED IN INCHES