

CHECK VALVE ANSI CLASS 150 FLANGED END RF, CAST STEEL WCB



TECHNICAL SPECIFICATION

SHELL WAL THICKNESS: BS1868
 VALVE DESIGN: BS1868
 FLANGE DIMENSIONS: ANSI B16.5
 FACE TO FACE: ANSI B16.10
 UNIVERSAL TRIM 8

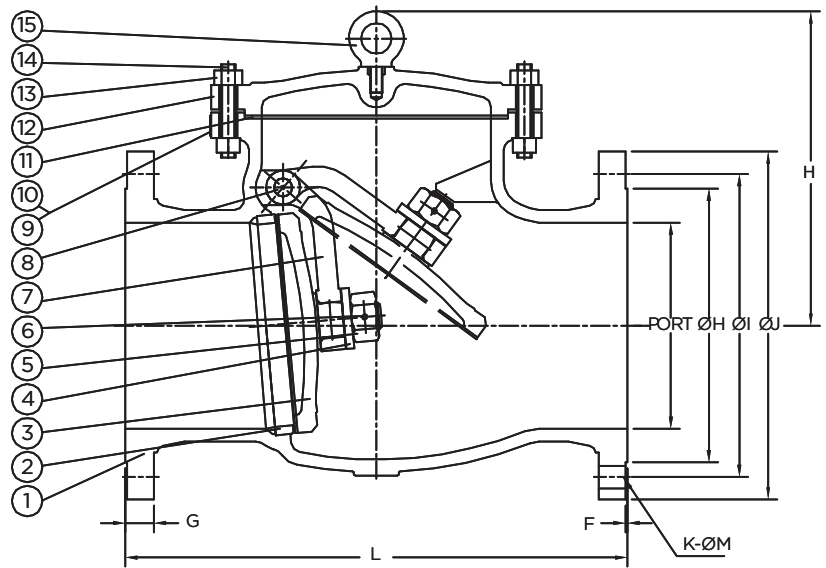
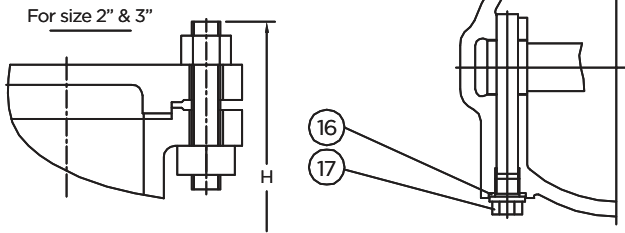
TEST SPECIFICATION

TEST ACCORDANCE TO PER API 598
 NOMINAL PRESSURE: 285 PSI
 SHELL TEST (WATER): 450 PSIG
 BACK SEAT & SEAT TEST (WATER): 314 PSIG
 AIR TEST: 87 PSIG

BODY MARK

LINE
 2
 150

 WCB



MATERIAL LIST

1	BODY	ASTM A-216 Gr. WCB
2	SEAT RING	ASTM A-105+STL6#
3	DISC	ASTM A-216 Gr. WCB+13Cr
4	WASHER	AISI 1035
5	DISC NUT	ASTM A-194 Gr. 2H
6	DISC PIN	ASTM A-193 Gr. B7
7	HINGE	ASTM A-216 Gr. WCB
8	PIN	ASTM A-276 Gr. 410
9	NAMEPLATE	SS304

MATERIAL LIST

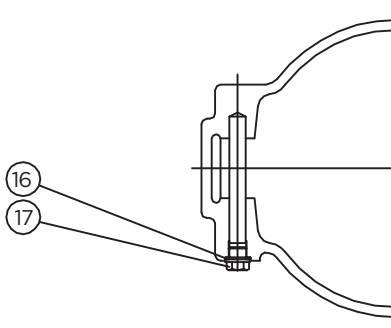
10	RIVET	SS304
11	GASKET	304+GRAPHITE
12	COVER	ASTM A-216 Gr. WCB
13	COVER BOLT	ASTM A-193 Gr. B7
14	COVER NUT	ASTM A-194 Gr. 2H
15	LIFTING RING	AISI 1035
16	GASKET	304+GRAPHITE
17	PLUG	ASTM A-276 Gr. 410

DIMENSIONS & WEIGHTS

MODEL	SIZE	PORT	L	H	ØJ	ØI	ØH	G	F	K	ØM	WEIGHT (KG)	CRACKING PRESSURE (PSI)	
2118F-09	2"	DN50	2.00	8.00	5.16	6.00	4.75	3.62	0.75	0.06	4.00	0.75	15.00	0.40
2118F-10	2 1/2"	DN65	2.50	8.50	6.10	7.00	5.50	4.12	0.88	0.06	4.00	0.75	20.30	0.40
2118F-11	3"	DN80	3.00	9.50	6.25	7.50	6.00	5.00	0.94	0.06	4.00	0.75	27.00	0.40
2118F-12	4"	DN100	4.00	11.50	7.56	9.00	7.50	6.19	0.94	0.06	8.00	0.75	42.00	0.40
2118F-13	5"	DN125	5.00	13.00	8.71	10.03	8.50	7.31	0.87	0.06	8.00	0.75	56.50	0.40
2118F-14	6"	DN150	6.00	14.00	9.88	11.00	9.50	8.50	1.00	0.06	8.00	0.88	72.30	0.40
2118F-15	8"	DN200	8.00	19.50	12.20	13.50	11.75	10.62	1.12	0.06	8.00	0.88	127.20	0.40
2118F-16	10"	DN250	10.00	24.50	14.80	16.00	14.25	12.75	1.19	0.06	12.00	1.00	222.00	0.40

*WEIGHT IS ESTIMATED
 *ALL DIMENSIONS ARE EXPRESSED IN INCHES

CHECK VALVE ANSI CLASS 150 FLANGED END RF, CAST STEEL WCB



TECHNICAL SPECIFICATION

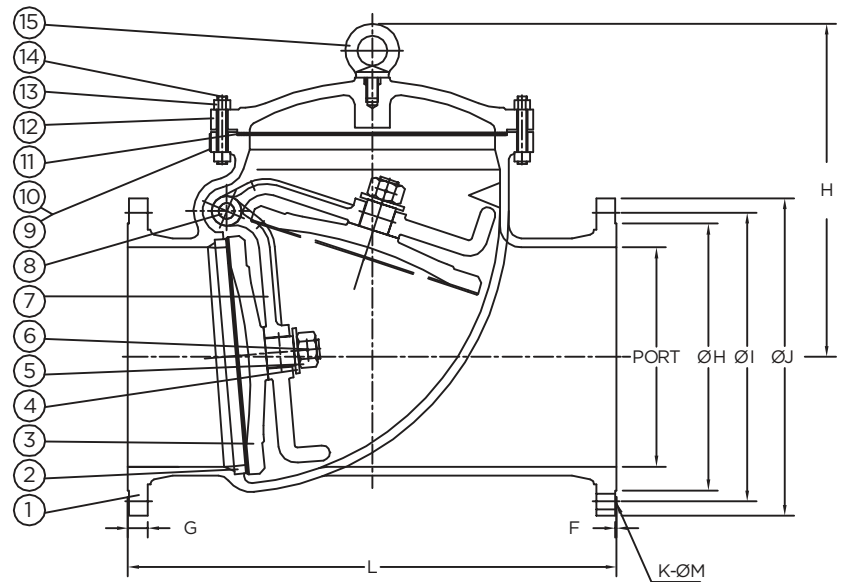
SHELL WAL THICKNESS: BS1868
 VALVE DESIGN: BS1868
 FLANGE DIMENSIONS: ANSI B16.5
 FACE TO FACE: ANSI B16.10
 UNIVERSAL TRIM 8

TEST SPECIFICATION

TEST ACCORDANCE TO PER API 598
 NOMINAL PRESSURE: 285 PSI
 SHELL TEST (WATER): 450 PSIG
 BACK SEAT & SEAT TEST (WATER): 314 PSIG
 AIR TEST: 87 PSIG

BODY MARK

2
 150
 WCB



MATERIAL LIST

1	BODY	ASTM A-216 Gr. WCB
2	SEAT RING	ASTM A-105+STL6#
3	DISC	ASTM A-216 Gr. WCB+13Cr
4	WASHER	AISI 1035
5	DISC NUT	ASTM A-194 Gr. 2H
6	DISC PIN	ASTM A-193 Gr. B7
7	HINGE	ASTM A-216 Gr. WCB
8	PIN	ASTM A-276 Gr. 410
9	NAMEPLATE	SS304

MATERIAL LIST

10	RIVET	SS304
11	GASKET	304+GRAPHITE
12	COVER	ASTM A-216 Gr. WCB
13	COVER BOLT	ASTM A-193 Gr. B7
14	COVER NUT	ASTM A-194 Gr. 2H
15	LIFTING RING	AISI 1035
16	GASKET	304+GRAPHITE
17	PLUG	ASTM A-276 Gr. 410

DIMENSIONS & WEIGHTS

MODEL	SIZE	PORT	L	H	ØJ	ØI	ØH	G	F	K	ØM	WEIGHT (KG)	CRACKING PRESSURE (PSI)	
2118F-17	12"	DN300	12.00	27.50	18.62	19.02	17.00	15.00	1.25	0.06	12.00	1.00	290.00	0.40
2118F-18	14"	DN350	14.00	31.00	18.15	21.00	18.75	16.26	1.31	0.06	12.00	1.14	480.00	0.70
2118F-19	16"	DN400	16.00	34.00	24.06	23.50	21.26	18.50	1.38	0.06	16.00	1.14	581.00	0.70
2118F-20	18"	DN450	18.00	38.50	25.59	25.00	22.76	20.98	1.57	0.06	16.00	1.26	720.00	0.80
2118F-21	20"	DN500	20.00	38.50	26.26	27.52	25.00	23.00	1.69	0.06	20.00	1.26	860.00	0.80
2118F-23	24"	DN600	24.00	51.00	30.04	32.00	29.50	27.25	1.89	0.06	20.00	1.38	1400.00	0.80

*WEIGHT IS ESTIMATED
 *ALL DIMENSIONS ARE EXPRESSED IN INCHES

CHECK VALVE ANSI CLASS 150 FLANGED END RF, CAST STEEL WCB



TECHNICAL SPECIFICATION

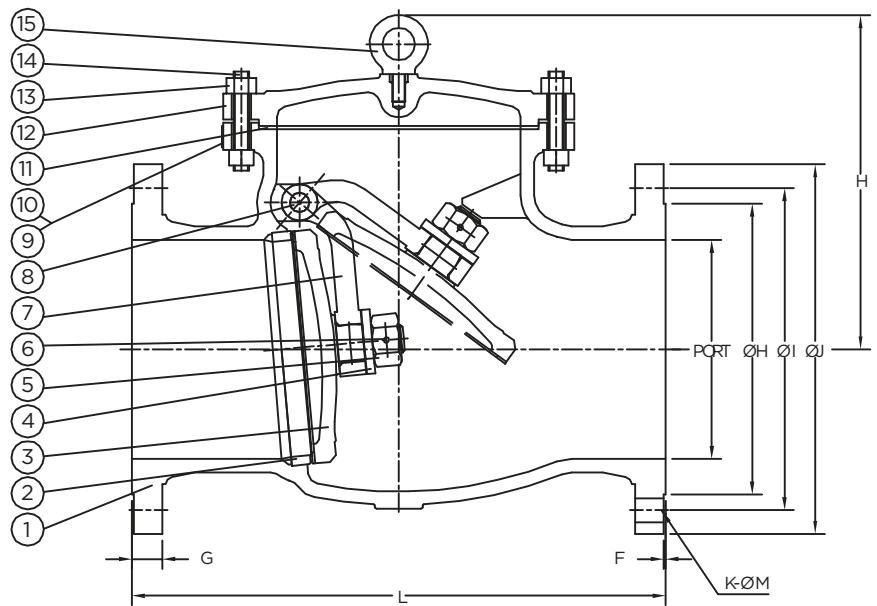
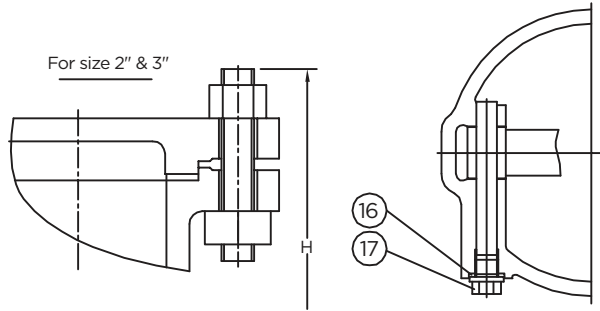
SHELL WAL THICKNESS: BS1868
 VALVE DESIGN: BS1868
 FLANGE DIMENSIONS: ANSI B16.5
 FACE TO FACE: ANSI B16.10
 UNIVERSAL TRIM 8

TEST SPECIFICATION

TEST ACCORDANCE TO PER API 598
 NOMINAL PRESSURE: 740 PSI
 SHELL TEST (WATER): 1110 PSIG
 BACK SEAT & SEAT TEST (WATER): 814 PSIG
 AIR TEST: 87 PSIG

BODY MARK

LINE
 2
 300
 WCB



MATERIAL LIST

1	BODY	ASTM A-216 Gr. WCB
2	SEAT RING	ASTM A-105+STL6#
3	DISC	ASTM A-216 Gr. WCB+13Cr
4	WASHER	AISI 1035
5	DISC NUT	ASTM A-194 Gr. 2H
6	DISC PIN	ASTM A-193 Gr. B7
7	HINGE	ASTM A-216 Gr. WCB
8	PIN	ASTM A-276 Gr. 410
9	NAMEPLATE	SS304

MATERIAL LIST

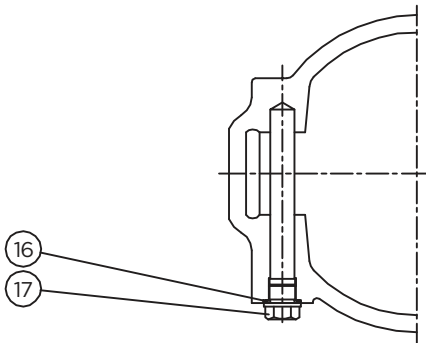
10	RIVET	SS304
11	GASKET	304+GRAPHITE
12	COVER	ASTM A-216 Gr. WCB
13	COVER BOLT	ASTM A-193 Gr. B7
14	COVER NUT	ASTM A-194 Gr. 2H
15	LIFTING RING	AISI 1035
16	GASKET	304+GRAPHITE
17	PLUG	ASTM A-276 Gr. 410

DIMENSIONS & WEIGHTS

MODEL	SIZE	PORT	L	H	ØJ	ØI	ØH	G	F	K	ØM	WEIGHT (KG)	CRACKING PRESSURE (PSI)	
2318F-09	2"	DN50	2.00	10.50	5.39	6.50	5.00	3.62	0.89	0.06	8.00	0.75	20.30	0.40
2318F-10	2 1/2"	DN65	2.50	11.50	6.41	7.50	5.88	4.12	1.00	0.06	8.00	0.88	31.00	0.40
2318F-11	3"	DN80	3.00	12.50	6.65	8.25	6.62	5.00	1.12	0.06	8.00	0.88	40.60	0.40
2318F-12	4"	DN100	4.00	14.00	8.70	10.00	7.88	6.19	1.25	0.06	8.00	0.88	63.00	0.40
2318F-13	6"	DN150	6.00	17.50	10.83	12.50	10.62	8.50	1.46	0.06	12.00	0.88	120.00	0.60
2318F-14	8"	DN200	8.00	21.00	13.23	15.00	13.00	10.62	1.63	0.06	12.00	1.00	196.00	0.60
2318F-15	10"	DN250	10.00	24.50	15.94	17.50	15.25	12.75	1.87	0.06	16.00	1.12	320.00	0.60

*WEIGHT IS ESTIMATED
 *ALL DIMENSIONS ARE EXPRESSED IN INCHES

CHECK VALVE ANSI CLASS 300 FLANGED END RF, CAST STEEL WCB



TECHNICAL SPECIFICATION

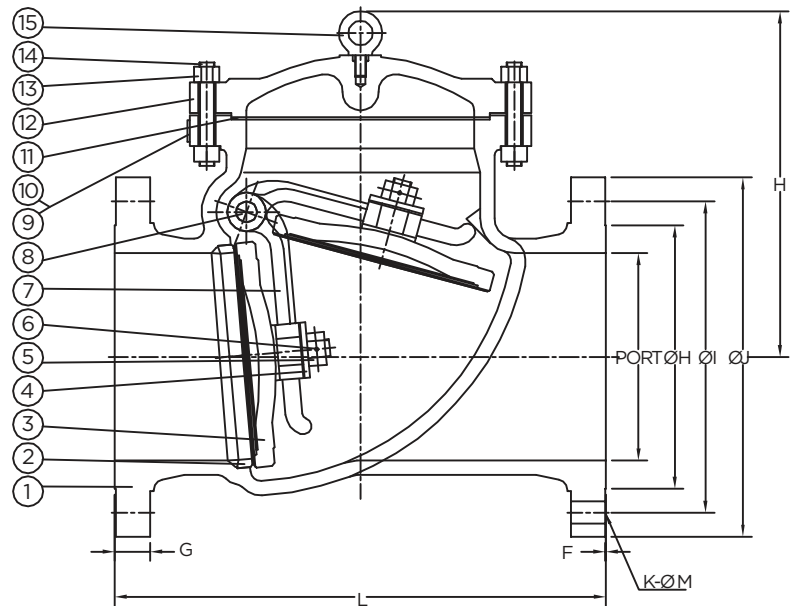
SHELL WAL THICKNESS: BS1868
 VALVE DESIGN: BS1868
 FLANGE DIMENSIONS: ANSI B16.5
 FACE TO FACE: ANSI B16.10
 UNIVERSAL TRIM 8

TEST SPECIFICATION

TEST ACCORDANCE TO PER API 598
 NOMINAL PRESSURE: 740 PSI
 SHELL TEST (WATER): 1110 PSIG
 BACK SEAT & SEAT TEST (WATER): 814 PSIG
 AIR TEST: 87 PSIG

BODY MARK

LINE
 2
 300
 WCB



MATERIAL LIST

1	BODY	ASTM A-216 Gr. WCB
2	SEAT RING	ASTM A-105+STL6#
3	DISC	ASTM A-216 Gr. WCB+13Cr
4	WASHER	AISI 1035
5	DISC NUT	ASTM A-194 Gr. 2H
6	DISC PIN	ASTM A-193 Gr. B7
7	HINGE	ASTM A-216 Gr. WCB
8	PIN	ASTM A-276 Gr. 410
9	NAMEPLATE	SS304

MATERIAL LIST

10	RIVET	SS304
11	GASKET	304+GRAPHITE
12	COVER	ASTM A-216 Gr. WCB
13	COVER BOLT	ASTM A-193 Gr. B7
14	COVER NUT	ASTM A-194 Gr. 2H
15	LIFTING RING	AISI 1035
16	GASKET	304+GRAPHITE
17	PLUG	ASTM A-276 Gr. 410

DIMENSIONS & WEIGHTS

MODEL	SIZE	PORT	L	H	ØJ	ØI	ØH	G	F	K	ØM	WEIGHT (KG)	CRACKING PRESSURE (PSI)	
2318F-17	12"	DN300	12.00	28.00	18.46	20.50	17.75	15.00	1.25	0.06	16.00	1.25	440.00	0.50
2318F-18	14"	DN350	13.25	33.00	22.99	23.00	20.25	16.25	1.38	0.06	20.00	1.25	566.00	0.50
2318F-19	16"	DN400	15.25	34.00	26.30	25.50	22.50	18.50	1.46	0.06	20.00	1.38	830.00	0.40
2318F-20	18"	DN450	17.25	38.50	27.36	28.00	24.75	21.00	1.57	0.06	24.00	1.38	1110.00	0.40
2318F-21	20"	DN500	19.25	40.00	27.56	30.50	27.00	23.00	1.69	0.06	24.00	1.38	1300.00	0.40
2318F-22	24"	DN600	23.25	53.00	42.52	36.00	32.00	27.25	1.89	0.06	24.00	1.61	2200.00	0.40

*WEIGHT IS ESTIMATED
 *ALL DIMENSIONS ARE EXPRESSED IN INCHES

CHECK VALVE ANSI CLASS 600 FLANGED END RF, CAST STEEL WCB



TECHNICAL SPECIFICATION

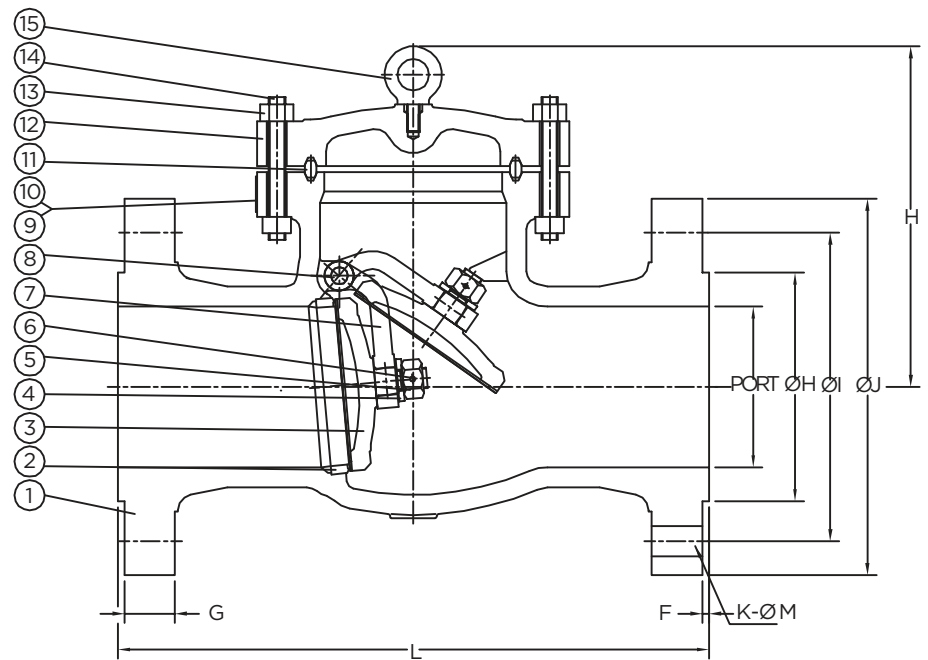
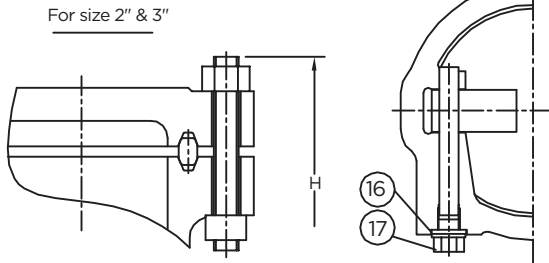
SHELL WAL THICKNESS: BS1868
 VALVE DESIGN: BS1868
 FLANGE DIMENSIONS: ANSI B16.5
 FACE TO FACE: ANSI B16.10
 UNIVERSAL TRIM 8

TEST SPECIFICATION

TEST ACCORDANCE TO PER API 598
 NOMINAL PRESSURE: 1480 PSI
 SHELL TEST (WATER): 2220 PSIG
 BACK SEAT & SEAT TEST (WATER): 1628 PSIG
 AIR TEST: 87 PSIG

BODY MARK

LINE
 2
 600
 RF
 WCB



MATERIAL LIST

1	BODY	ASTM A-216 Gr. WCB
2	SEAT RING	ASTM A-105+STL6#
3	DISC	ASTM A-216 Gr. WCB+13Cr
4	WASHER	AISI 1035
5	DISC NUT	ASTM A-194 Gr. 2H
6	DISC PIN	ASTM A-193 Gr. B7
7	HINGE	ASTM A-216 Gr. WCB
8	PIN	ASTM A-276 Gr. 410
9	NAMEPLATE	SS304

MATERIAL LIST

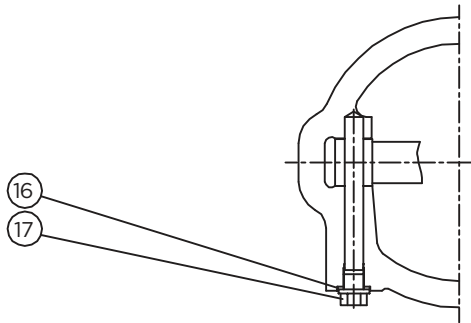
10	RIVET	SS304
11	GASKET	304+GRAPHITE
12	COVER	ASTM A-216 Gr. WCB
13	COVER BOLT	ASTM A-193 Gr. B7
14	COVER NUT	ASTM A-194 Gr. 2H
15	LIFTING RING	AISI 1035
16	GASKET	304+GRAPHITE
17	PLUG	ASTM A-276 Gr. 410

DIMENSIONS & WEIGHTS

MODEL	SIZE	PORT	L	H	ØJ	ØI	ØH	G	F	K	ØM	WEIGHT (KG)	CRACKING PRESSURE (PSI)	
2318F-09	2"	DN50	2.00	11.50	5.87	6.50	5.00	3.62	1.00	0.25	8.00	0.75	29.00	0.70
2318F-10	2 1/2"	DN65	2.50	13.00	7.13	7.50	5.88	4.12	1.12	0.25	8.00	0.87	48.00	0.70
2318F-11	3"	DN80	3.00	14.00	7.60	8.25	6.62	5.00	1.25	0.25	8.00	0.87	60.30	0.70
2318F-12	4"	DN100	4.00	17.00	10.08	10.75	8.50	6.19	1.50	0.25	8.00	1.00	99.50	0.70
2318F-13	6"	DN150	6.00	22.00	12.68	14.00	11.50	8.50	1.88	0.25	12.00	1.12	211.70	0.70

*WEIGHT IS ESTIMATED
 *ALL DIMENSIONS ARE EXPRESSED IN INCHES

CHECK VALVE ANSI CLASS 600 FLANGED END RF, CAST STEEL WCB



TECHNICAL SPECIFICATION

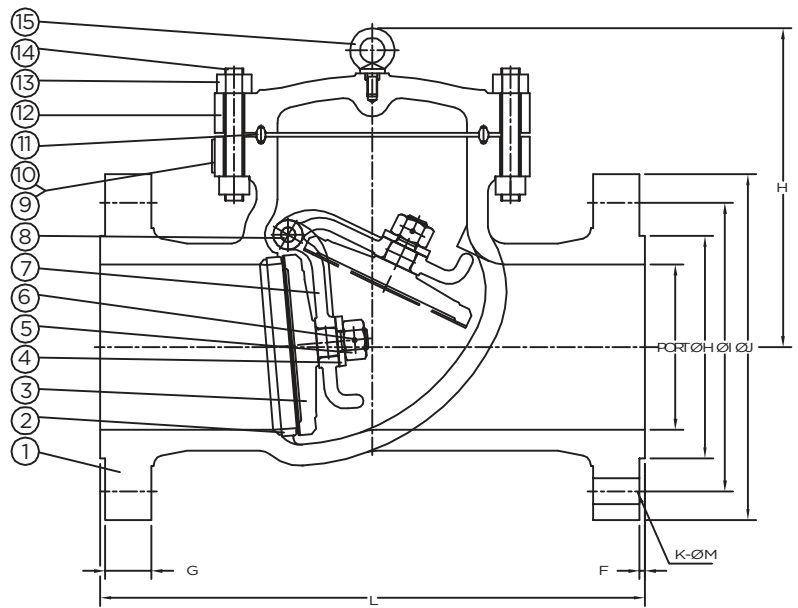
SHELL WAL THICKNESS: BS1868
 VALVE DESIGN: BS1868
 FLANGE DIMENSIONS: ANSI B16.5
 FACE TO FACE: ANSI B16.10
 UNIVERSAL TRIM 8

TEST SPECIFICATION

TEST ACCORDANCE TO PER API 598
 NOMINAL PRESSURE: 1480 PSI
 SHELL TEST (WATER): 2220 PSIG
 BACK SEAT & SEAT TEST (WATER): 1628 PSIG
 AIR TEST: 87 PSIG

BODY MARK

2
 600
 WCB



MATERIAL LIST

1	BODY	ASTM A-216 Gr. WCB
2	SEAT RING	ASTM A-105+STL6#
3	DISC	ASTM A-216 Gr. WCB+13Cr
4	WASHER	AISI 1035
5	DISC NUT	ASTM A-194 Gr. 2H
6	DISC PIN	ASTM A-193 Gr. B7
7	HINGE	ASTM A-216 Gr. WCB
8	PIN	ASTM A-276 Gr. 410
9	NAMEPLATE	SS304

MATERIAL LIST

10	RIVET	SS304
11	GASKET	304+GRAPHITE
12	COVER	ASTM A-216 Gr. WCB
13	COVER NUT	ASTM A-194 Gr. 2H
14	COVER BOLT	ASTM A-193 Gr. B7
15	LIFTING RING	AISI 1035
16	GASKET	304+GRAPHITE
17	PLUG	ASTM A-276 Gr. 410

DIMENSIONS & WEIGHTS

MODEL	SIZE	PORT	L	H	ØJ	ØI	ØH	G	F	K	ØM	WEIGHT (KG)	CRACKING PRESSURE (PSI)	
2618F-15	8"	DN200	7.87	26.00	15.24	16.50	13.75	10.62	2.19	0.25	12.00	1.25	345.00	0.60
2618F-16	10"	DN250	9.75	31.00	18.03	20.00	17.00	12.75	2.50	0.25	16.00	1.37	575.00	0.60
2618F-17	12"	DN300	11.75	33.00	21.69	22.00	19.25	15.00	2.62	0.25	20.00	1.37	820.00	0.60
2618F-18	14"	DN350	12.87	35.00	25.87	23.75	20.75	16.23	2.76	0.25	20.00	1.50	1050.00	0.60
2618F-19	16"	DN400	14.75	39.00	27.95	27.00	23.75	18.50	2.99	0.25	20.00	1.63	1470.00	0.60
2618F-20	18"	DN450	16.50	43.00	31.73	29.25	25.75	21.00	3.27	0.25	20.00	1.75	1820.00	0.60
2618F-21	20"	DN500	18.25	47.00	28.62	32.00	28.50	23.03	3.50	0.25	24.00	1.77	2385.00	0.60
2618F-22	24"	DN600	22.00	55.00	33.66	37.00	33.00	27.25	4.00	0.25	24.00	2.00	3300.00	0.60

*WEIGHT IS ESTIMATED
 *ALL DIMENSIONS ARE EXPRESSED IN INCHES