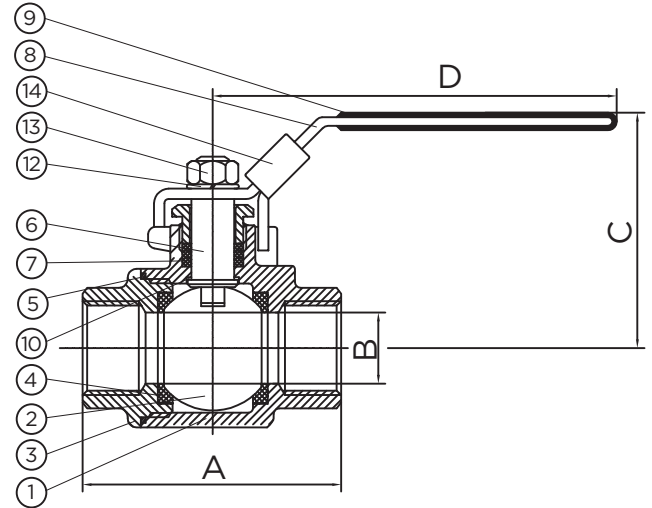


1000 PSI 2 PC FP BALL VALVE



FEATURES

SIZE:	1/2" - 4"
PORT:	FULL
PRESSURE:	1000 WOG
TEMPERATURE:	-50 TO 450 F°
CONNECTION:	FEMALE NPT

TECHNICAL SPECIFICATION

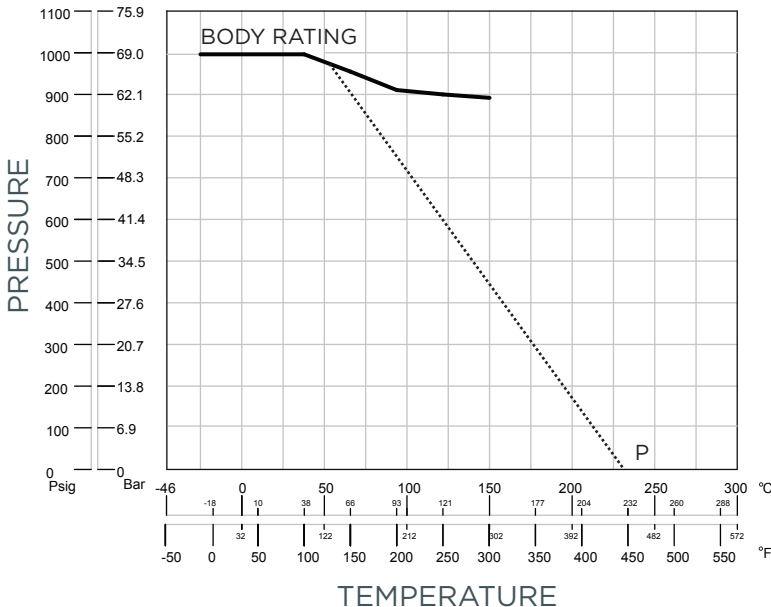
NPT THREADS AS PER ASME B1.20.1
BLOW-OUT-PROOF STEM DESIGN
LOCKING HANDLE
IN COMPLIANCE WITH NACE MR-0175
SUITABLE FOR WATER, OIL & GAS

MATERIAL LIST

		1020SF	1020CF
1	BODY	SS316	A216 Gr. WCB
2	BALL	SS316	SS304
3	CAP	SS316	A216 Gr. WCB
4	SEAT	VIRGIN PTFE	VIRGIN PTFE
5	BODY SEAL	VIRGIN PTFE	VIRGIN PTFE
6	STEM	SS316	SS316
7	STEM SEAL	VIRGIN PTFE	VIRGIN PTFE
8	HANDLE	SS201	SS201
9	HANDLE COVER	PVC	PVC
10	THRUST WASHER	RPTFE	RPTFE
11	GLAND BUSHING	SS304	SS304
12	HANDLE WASHER	SS304	SS304
13	HANDLE NUT	A2-70	A2-70
14	LOCKING PAD	SS201	SS201

TEST SPECIFICATION

TEST ACCORDANCE TO PER API 598
SHELL TEST: 1500 PSI
SEAT TEST: 1100 PSI
AIR TEST: 87 PSI



DIMENSIONS & WEIGHTS

SIZE	A	B	C	D	WEIGHT (KG)
1/4"	2.04	0.43	2.08	3.74	0.22
3/8"	2.04	0.44	2.08	3.74	0.22
1/2"	2.24	0.59	2.28	3.94	0.29
3/4"	2.60	0.79	2.40	4.33	0.45
1"	3.15	0.98	2.76	4.69	0.74
1 1/4"	3.70	1.26	2.95	6.30	1.20
1 1/2"	4.00	1.50	3.54	6.30	1.46
2"	4.57	1.97	4.17	6.89	2.10
2 1/2"	6.14	2.56	8.66	5.24	4.60
3"	7.00	3.15	9.25	5.51	6.55
4"	8.90	3.94	14.09	6.30	12.50

*DIMENSIONS ARE EXPRESSED IN INCHES
 *FOR DIMENSIONS C&D THERE IS A TOLERANCE OF ±.24 IN, FOR A ±.08 IN